



# **X-OVER 357 GREY 2026**

## **Exploded**



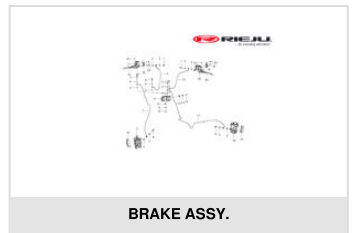
HANDLEBAR



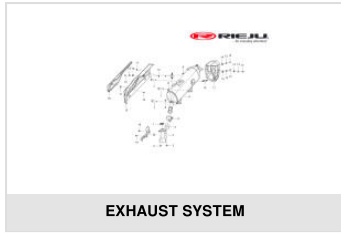
FRONT SUSPENSION



FRONT WHEEL



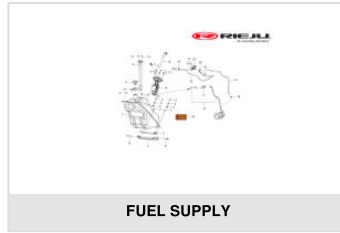
BRAKE ASSY.



EXHAUST SYSTEM



INTAKE SYSTEM



FUEL SUPPLY



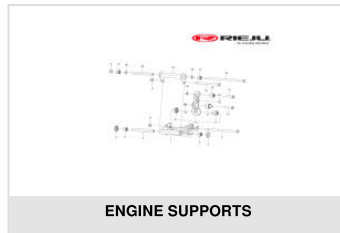
SEAT



REAR WHEEL



CHASSIS



ENGINE SUPPORTS



FRONT MUDGUARD



KICKSTAND



FRONT HEADLIGHT HOLDER



FRONT WINDSHIELD



HEADLIGHT COVERS



CENTRAL COVERS



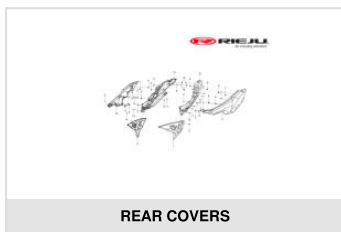
CARGO BOX



FUEL TANK COVERS



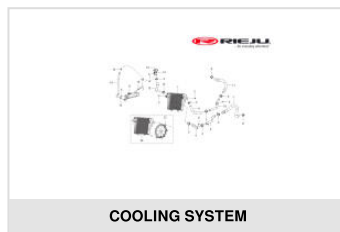
FOOTREST



REAR COVERS



REAR MUDGUARD



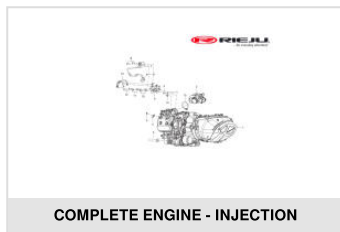
COOLING SYSTEM



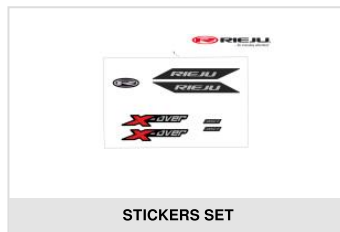
ELECTRICAL COMPONENTS



ELECTRICAL SYSTEM






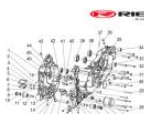










COMPLETE ENGINE - INJECTION

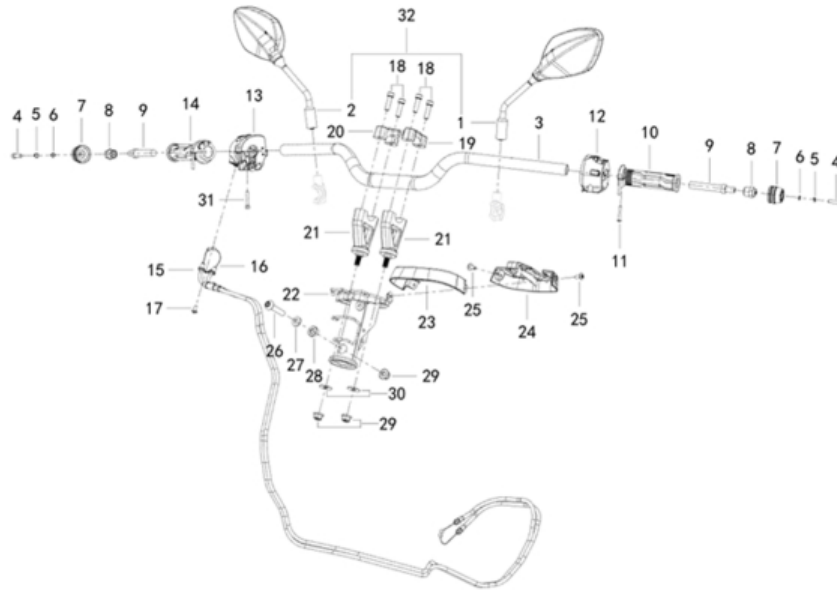


STICKERS SET

**MOTOR X-OVER 357**

 <p>CYLINDER HEAD COVER</p>	 <p>CYLINDER HEAD</p>	 <p>VALVES</p>	 <p>CYLINDER</p>
 <p>PISTON - CONNECTING ROD - CRANKSHAFT</p>	 <p>CRANKCASE ASSY.</p>	 <p>TRANSMISSION MECHANISM</p>	 <p>STARTING SYSTEM</p>
 <p>CLUTCH</p>	 <p>LEFT COVER ASSY.</p>	 <p>RIGHT COVER ASSY.</p>	 <p>CJTO. BOMBA DE ACEITE</p>
 <p>DISTRIBUTION CHAIN</p>	 <p>INJECTION BODY</p>		

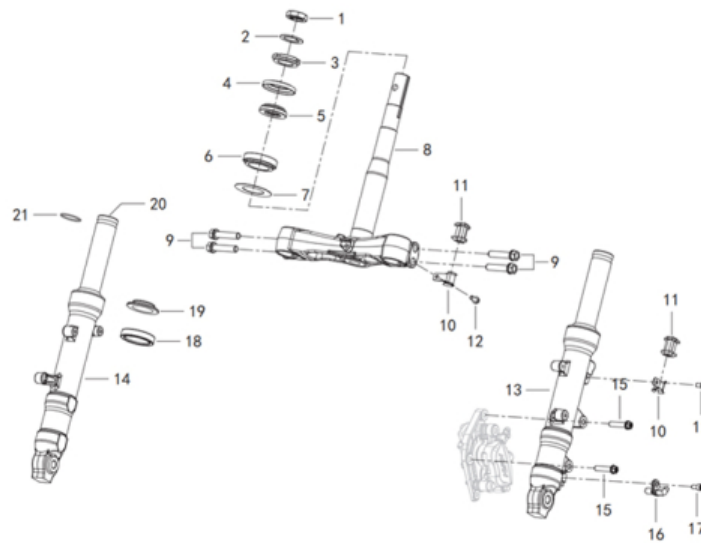
**HANDLEBAR**



1	MIRROR LH X-OVER 0/000.990.3401 (u. 1)
2	MIRROR RH X-OVER 0/000.990.3402 (u. 1)
3	HANDLEBAR X-OVER 0/000.170.3401 (u. 1)
4	TORX CYLINDRICAL HEAD SCREW M6x25 0/000.460.46111 (u. 2)
5	SPRING WASHER M6 0/000.440.46004 (u. 2)
6	GASKET Ø6 0/000.490.3442 (u. 2)
7	HANDLEBAR COUNTERWEIGHT 0/000.480.3423 (u. 2)
8	HANDLEBAR END WEIGHT NUT 0/000.340.46003 (u. 2)
9	HANDLEBAR COUNTERWEIGHT AXLE 0/000.190.4602 (u. 2)
10	HANDLEBAR RUBBER GRIP LH 0/000.530.3401 (u. 1)
11	SCREW M4x30 0/000.460.3463 (u. 1)
12	LIGHT SWITCH LH 0/000.720.3401 (u. 1)
13	RH LIGHT SWITCH X-OVER 350 0/000.720.3402 (u. 1)
14	THROTTLE GRIP RH 0/000.530.3402 (u. 1)
15	THROTTLE CABLE 1 X-OVER 357 0/000.550.3401 (u. 1)

16	THROTTLE CABLE 2 X-OVER 357 0/000.550.3403 (u. 1)
17	TORX SCREW WITH WASHER M5x12 BLACK ZINC 0/000.460.46002 (u. 1)
18	SCREW M8x30 0/000.460.3472 (u. 4)
19	UPPER HANDLEBAR CLAMP LH 0/000.350.3417 (u. 1)
20	UPPER HANDLEBAR CLAMP RH 0/000.350.3416 (u. 1)
21	LOWER HANDLEBAR CLAMP 0/000.350.3415 (u. 2)
22	STEERING COVER BRACKET 0/000.980.3410 (u. 1)
23	LOWER STEERING COVER 0/000.570.3409 (u. 1)
24	UPPER STEERING COVER 0/000.570.3408 (u. 1)
25	SPECIAL SCREW WITH TORX WASHER M6x14 BLACK ZINC 0/000.460.46008 (u. 2)
26	ANTI TAMPER SCREW 0/000.460.3416 (u. 1)
27	FLAT WASHER Ø10 0/000.440.46010 (u. 1)
28	STEERING CENTERING BUSHING 0/000.480.3422 (u. 1)
29	SELF LOCKING NUT M10 0/000.340.3422 (u. 3)
30	WASHER M10 0/000.440.3441 (u. 2)
31	TORX SCREW CYLINDRICAL HEAD M5x30 0/000.460.46108 (u. 1)
32	MIRROR ASSEMBLY X-OVER 0/K00.990.3401 (u. 1)

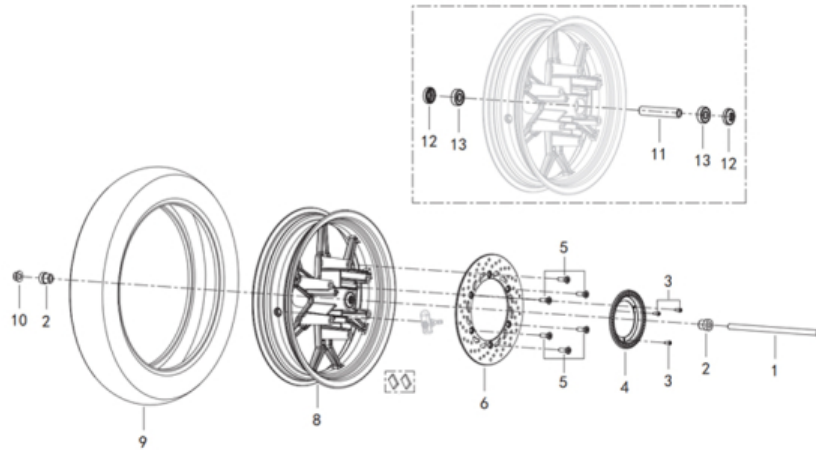
## FRONT SUSPENSION



1	UPPER STEERING SHAFT NUT 0/000.340.3410 (u. 1)
2	UPPER STEERING SHAFT WASHER 0/000.440.3439 (u. 1)
3	STEERING SHAFT COMPRESSION NUT 0/000.340.3411 (u. 1)
4	UPPER STEERING SHAFT DUST COVER 0/000.200.3401 (u. 1)
5	UPPER STEERING SHAFT BEARING 0/000.960.3411 (u. 1)
6	LOWER STEERING SHAFT BEARING 0/000.960.3410 (u. 1)
7	LOWER STEERING SHAFT DUST COVER 0/000.200.3402 (u. 1)
8	LOWER PLATE + STEERING SHAFT 0/000.660.3401 (u. 1)
9	SCREW M10x45 0/000.460.3404 (u. 4)
10	CABLE CLAMP 0/000.680.3417 (u. 2)
11	CABLE GROMMET 0/000.360.3405 (u. 2)
12	INTERNAL HEXAGONAL SCREW M6x12 0/000.460.46070 (u. 2)
13	SUSPENSION ASSEMBLY LH 0/000.130.3401 (u. 1)
14	SUSPENSION ASSEMBLY RH 0/000.130.3402 (u. 1)
15	SCREW M8x35 0/000.460.3429 (u. 2)

<b>16</b>	WHEEL SPEED SENSOR 0/001.010.3407 (u. 1)
<b>17</b>	SCREW M6x12 0/000.460.3470 (u. 1)
<b>18</b>	FORK OIL SEAL 0/000.890.3410 (u. 2)
<b>19</b>	FORK DUST SEAL 0/000.200.3403 (u. 2)
<b>20</b>	UPPER FORK CAP 0/000.410.3407 (u. 2)
<b>21</b>	UPPER FORK O RING 0/000.490.3437 (u. 2)

## FRONT WHEEL



1	FRONT WHEEL AXLE 0/000.190.3416 (u. 1)
2	FRONT WHEEL SPACER 0/000.480.3424 (u. 2)
3	TORX CYLINDRICAL HEAD SCREW M5x12 0/000.460.46105 (u. 3)
4	FRONT WHEEL SPEED RING 0/001.090.3403 (u. 1)
5	SCREW M8x24 0/000.340.3412 (u. 6)
6	FRONT BRAKE DISC X-OVER 0/001.090.3401 (u. 1)
8	FRONT WHEEL RIM X-OVER 0/000.230.3401 (u. 1)
9	TUBELESS TIRE 120/70-15 0/000.510.3401 (u. 1)
10	NUT M12 0/000.340.3423 (u. 1)
11	FRONT WHEEL CENTER SPACER 0/000.480.3425 (u. 1)
12	FRONT WHEEL SEAL 0/000.890.3411 (u. 2)
13	FRONT WHEEL BEARING 0/000.960.3418 (u. 2)

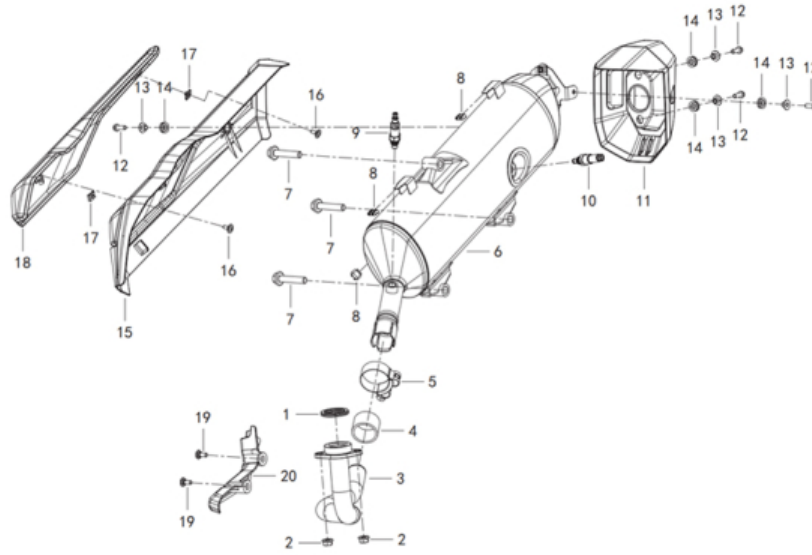
**BRAKE ASSY.**



1	<b>BRAKE BLEEDER SCREW</b> 0/000.460.3434 (u. 2)
2	<b>BRAKE HOSE GASKET 1</b> 0/000.490.3438 (u. 4)
3	<b>FRONT BRAKE MASTER CYLINDER</b> 0/000.860.3404 (u. 1)
4	<b>FRONT BRAKE PUMP TO ABS PIPE</b> 0/000.290.3424 (u. 1)
5	<b>SCREW CONNECTOR ABS MODULE</b> 0/000.460.46021 (u. 4)
6	<b>COPPER WASHER BRAKE SYSTEM</b> 0/000.440.46005 (u. 12)
7	<b>ABS TO FRONT BRAKE CALIPER HOSE</b> 0/000.290.3425 (u. 1)
8	<b>BRAKE SYSTEM SCREW 1</b> 0/000.460.3433 (u. 2)
9	<b>FRONT BRAKE CALIPER</b> 0/000.860.3405 (u. 1)
10	<b>FRONT BRAKE PADS</b> 0/000.930.3401 (u. 1)
11	<b>ABS MODULE X-OVER 357</b> 0/000.820.3401 (u. 1)
12	<b>INTERNAL HEXAGONAL SCREW M6x16</b> 0/000.460.46071 (u. 2)
13	<b>ABS MODULE BUSHING</b> 0/000.480.3421 (u. 2)
14	<b>SILENTBLOCK RUBBER</b> 0/000.360.3424 (u. 2)
15	<b>REAR BRAKE MASTER CYLINDER TO ABS PIPE</b> 0/000.290.3438 (u. 1)

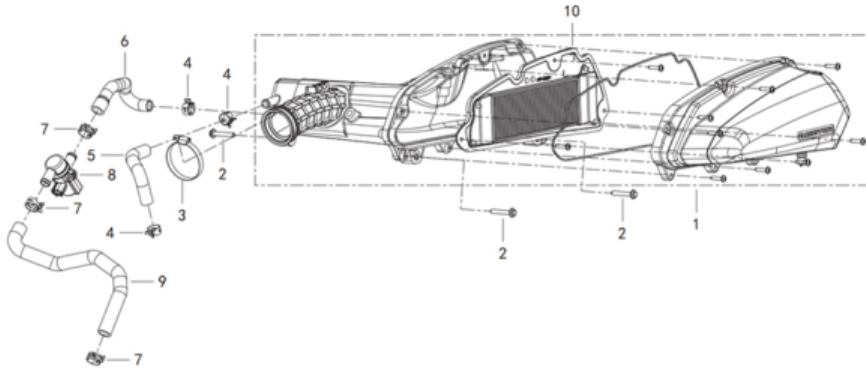
16	REAR BRAKE MASTER CYLINDER 0/000.860.3408 (u. 1)
17	ABS MODULE TO REAR BRAKE CALIPER HOSE 0/000.290.3439 (u. 1)
18	REAR BRAKE CALIPER 0/000.860.3409 (u. 1)
19	REAR BRAKE PADS 0/000.930.3402 (u. 1)
20	FRONT BRAKE SWITCH 0/000.720.3404 (u. 1)
21	FRONT BRAKE LEVER 0/000.830.3401 (u. 1)
22	MIRROR RUBBER PLUG 0/000.410.3406 (u. 2)
23	FRONT BRAKE MASTER CYLINDER CLAMP 0/000.350.3418 (u. 1)
24	INTERNAL HEXAGONAL SCREW M6x30 0/000.460.46075 (u. 4)
25	REAR BRAKE SWITCH 0/000.720.3405 (u. 1)
26	REAR BRAKE LEVER 0/000.830.3402 (u. 1)
27	REAR BRAKE MASTER CYLINDER CLAMP 0/000.350.3422 (u. 1)

**EXHAUST SYSTEM**



1	COLLECTOR GASKET 0/000.490.4612 (u. 1)
2	HEXAGONAL FLANGE NUT M8 0/000.340.3420 (u. 2)
3	EXHAUST X-OVER 357 0/000.290.3426 (u. 1)
4	EXHAUST GRAPHITE GASKET 0/000.490.3440 (u. 1)
5	EXHAUST MUFFLER CLAMP 0/000.680.3418 (u. 1)
6	MUFFLER X-OVER 357 0/000.870.3402 (u. 1)
7	SCREW M10x60 0/000.460.3418 (u. 3)
8	MUFFLER SILENTBLOCK 0/000.360.3408 (u. 3)
9	OXYGEN SENSOR 0/001.010.3403 (u. 1)
10	LAMBDA SENSOR 2 0/001.010.4610 (u. 1)
11	REAR DECORATIVE MUFFLER COVER 0/000.350.3419 (u. 1)
12	INTERNAL HEXAGONAL SCREW M6x16 0/000.460.46071 (u. 4)
13	EXHAUST PROTECTIVE BUSH 0/000.480.3426 (u. 4)
14	MUFFLER PROTECTOR SILENTBLOCK 0/000.360.3409 (u. 4)
15	DECORATIVE MUFFLER GUARD 0/000.220.3409 (u. 1)

<b>16</b>	MUFFLER RUBBER FIXING SCREW 0/000.460.3403 (u. 2)
<b>17</b>	CARD NUT M5 0/000.340.3414 (u. 2)
<b>18</b>	MUFFLER RUBBER PROTECTOR 0/000.360.3407 (u. 1)
<b>19</b>	FLAT TORX SCREW WITH CENTERING M6x15 0/000.460.46036 (u. 2)
<b>20</b>	DECORATIVE EXHAUST GUARD 0/000.220.3411 (u. 1)

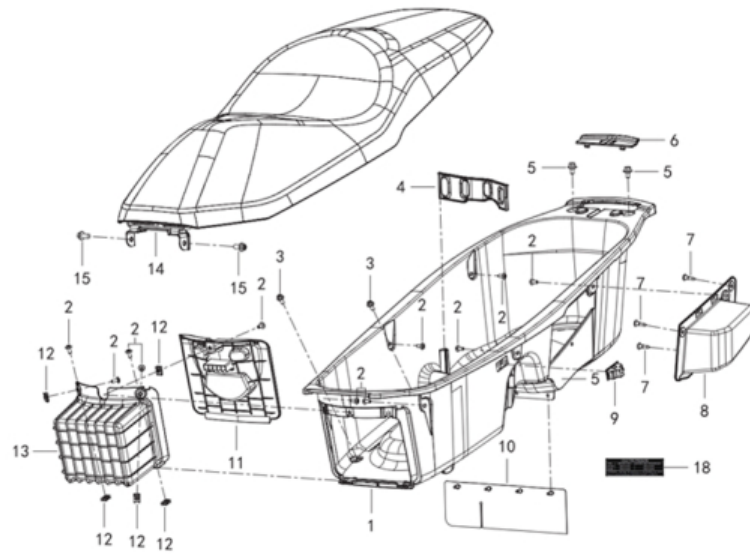
**INTAKE SYSTEM**


1	AIR FILTER BOX ASSEMBLY X-OVER 357 0/000.910.3401 (u. 1)
2	BOLT M6x38 0/000.460.46170 (u. 3)
3	WORM GEAR CLAMP 40-60 0/000.680.4606 (u. 1)
4	CLAMP Ø16x10x1 0/000.680.3420 (u. 3)
5	AIR FILTER BOX HOSE X-OVER 357 0/000.290.3428 (u. 1)
6	CONNECTING PIPE BETWEEN AIR SUPPLY VALVE AND AIR FILTER 0/000.290.3430 (u. 1)
7	CLAMP Ø19.3 0/000.680.4608 (u. 3)
8	AIS SOLENOID VALVE 0/000.640.3408 (u. 1)
9	AIS VALVE TO ENGINE HOSE 0/000.290.3429 (u. 1)
10	AIR FILTER X-OVER 357 0/001.070.3406 (u. 1)



16	CANISTER SYSTEM X-OVER 0/000.640.3409 (u. 1)
17	DISCHARGE VALVE 0/000.640.4606 (u. 1)
18	PLATE CLAMP Ø8.5x8x0.6 0/000.680.3419 (u. 3)
19	CANISTER TO SOLENOID VALVE HOSE 0/000.290.3434 (u. 1)
20	SOLENOID VALVE 0/000.640.3407 (u. 1)
21	SCREW M5x10 0/000.460.3409 (u. 2)
22	SOLENOID VALVE TO THROTTLE BODY HOSE 0/000.290.3432 (u. 1)
23	CLAMP Ø8 0/000.680.4609 (u. 1)
24	CALCA GASOLINA RECOMENDADA 0/000.390.4605 (u. 1)

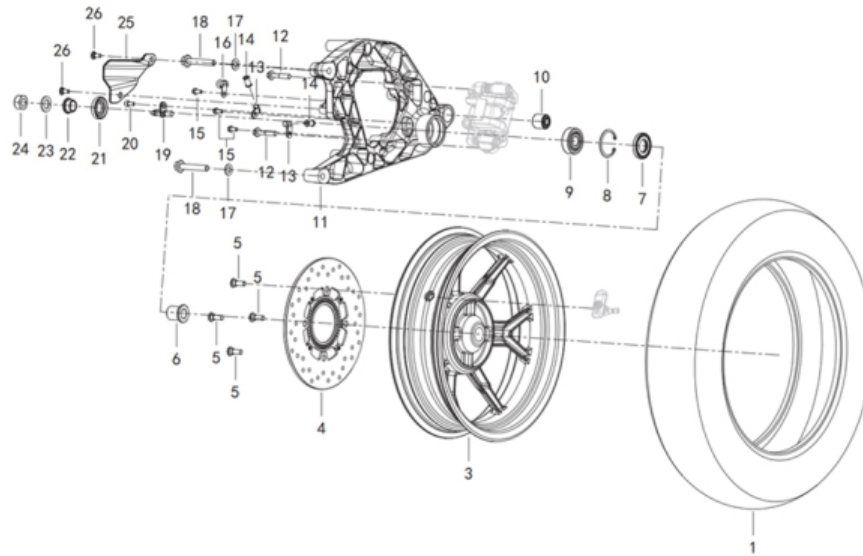
## SEAT



1	STORAGE BOX 0/000.570.3405 (u. 1)
2	TORX SCREW WITH WASHER M5x12 BLACK ZINC 0/000.460.46002 (u. 11)
3	BOLT M6x12 0/000.460.46167 (u. 2)
4	INSTALLATION BRACKET FOR REAR STORAGE BOX 0/000.570.3407 (u. 1)
5	SCREW M6x14 0/000.460.3408 (u. 2)
6	CHASSIS NUMBER COVER 0/000.570.3415 (u. 1)
7	CLIP SCREW 0/000.460.3436 (u. 3)
8	EXTRA HELMET STORAGE COMPARTMENT 0/000.570.3406 (u. 1)
9	HELMET BOX INTERIOR LIGHT 0/000.150.3409 (u. 1)
10	REAR SPLASH RUBBER 0/000.360.3423 (u. 1)
11	BATTERY BOX COVER 0/000.570.3436 (u. 1)
12	CARD NUT M5 0/000.340.3415 (u. 5)
13	BATTERY BOX 0/000.570.3437 (u. 1)
14	COMPLETE SEAT 0/000.040.3401 (u. 1)
15	TORX HEXAGONAL SCREW WITH WASHER M8x16 0/000.460.46046 (u. 2)

18

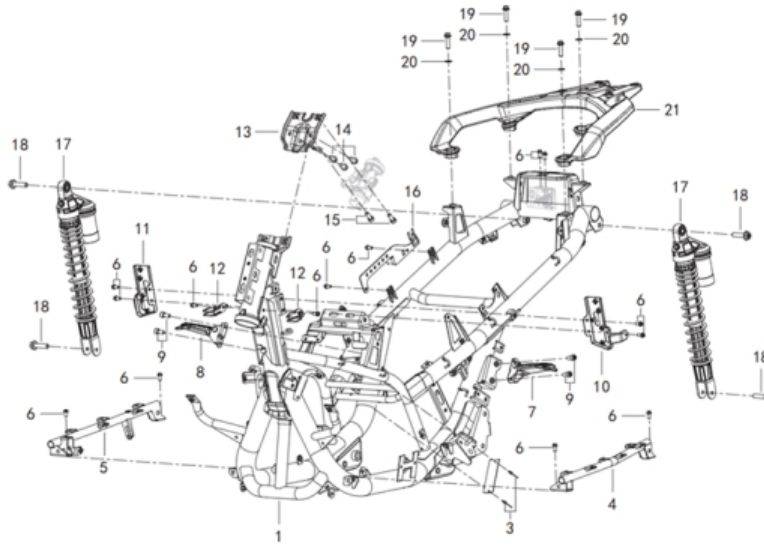
TIRE PRESSURE DECAL  
0/000.390.4603 (u. 1)

**REAR WHEEL**


1	TUBELESS TIRE 140/70-14 0/000.510.3402 (u. 1)
3	REAR WHEEL RIM X-OVER 357 0/000.230.3402 (u. 1)
4	REAR BRAKE DISC X-OVER 357 0/001.090.3405 (u. 1)
5	SCREW M8x24 0/000.340.3412 (u. 4)
6	HANGING BOARD LEFT AXLE SLEEVE 0/000.480.3429 (u. 1)
7	OIL SEAL 25X47X7 0/000.890.3405 (u. 1)
8	CIRCLIP Ø47 0/000.300.3410 (u. 1)
9	REAR WHEEL BEARING LH 0/000.960.3422 (u. 1)
10	SPACER 0/000.480.3433 (u. 1)
11	REAR SWINGARM RH X-OVER 357 0/000.020.3401 (u. 1)
12	SCREW M8x40 0/000.460.3412 (u. 2)
13	CLAMP 0/000.680.3415 (u. 2)
14	SPEED SENSOR CABLE GROMMET 0/000.360.3406 (u. 2)
15	INTERNAL HEXAGONAL SCREW M6x12 0/000.460.46070 (u. 3)
16	wire calamp 0/000.680.3423 (u. 1)

17	FLAT WASHER Ø10 0/000.440.46010 (u. 2)
18	SCREW M10x60 0/000.460.3418 (u. 2)
19	WHEEL SPEED SENSOR 0/001.010.3407 (u. 1)
20	SCREW M6x12 0/000.460.3470 (u. 1)
21	REAR WHEEL DUST COVER RH 0/000.200.3404 (u. 1)
22	REAR WHEEL SPACER RH 0/000.480.3432 (u. 1)
23	O RING Ø16 0/000.490.3441 (u. 1)
24	REAR WHEEL NUT 0/000.340.3402 (u. 1)
25	PROTECTOR 0/000.220.3413 (u. 1)
26	FLAT TORX SCREW WITH CENTERING M6x15 0/000.460.46036 (u. 2)

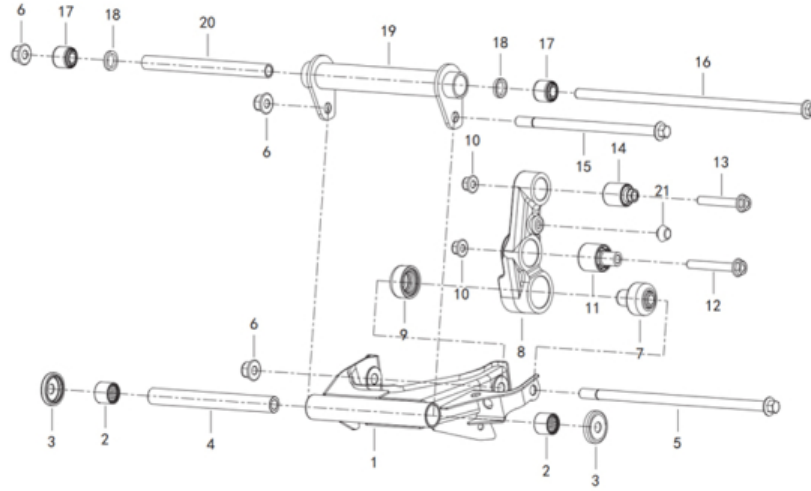
**CHASSIS**



1	FRAME X-OVER 357 0/000.010.3401 (u. 1)
3	RIVETS CHASSIS NUMBER PLATE 0/000.330.4601 (u. 2)
4	CHASSIS FAIRING MOUNT LH 0/000.010.3403 (u. 1)
5	CHASSIS FAIRING MOUNT RH 0/000.010.3404 (u. 1)
6	INTERNAL HEXAGONAL SCREW M6x12 0/000.460.46070 (u. 14)
7	PASSENGER FOOTREST LH 0/000.740.3401 (u. 1)
8	PASSENGER FOOTREST RH 0/000.740.3402 (u. 1)
9	TORX CYLINDRICAL HEAD SCREW M8x16 0/000.460.46113 (u. 4)
10	CHASSIS BRACKET 1 0/000.980.3424 (u. 1)
11	CHASSIS BRACKET 2 0/000.980.3425 (u. 1)
12	ELECTRICAL HARNESS CLAMP 0/000.680.3425 (u. 2)
13	IGNITION SWITCH BRACKET 0/000.980.3416 (u. 1)
14	TORX HEXAGONAL SCREW WITH WASHER M8x16 0/000.460.46046 (u. 3)
15	TORX CYLINDRICAL HEAD SCREW M8x20 0/000.460.46114 (u. 2)
16	CONNECTOR BRACKET 0/000.980.3426 (u. 1)

17	REAR SHOCK ABSORBER X-OVER 357 0/000.180.3401 (u. 2)
18	SCREW M10x40 0/000.460.3417 (u. 4)
19	SCREW M8x25 0/000.460.3428 (u. 4)
20	GASKET Ø8 0/000.490.3443 (u. 4)
21	REAR GRAB HANDLE 0/000.980.3414 (u. 1)

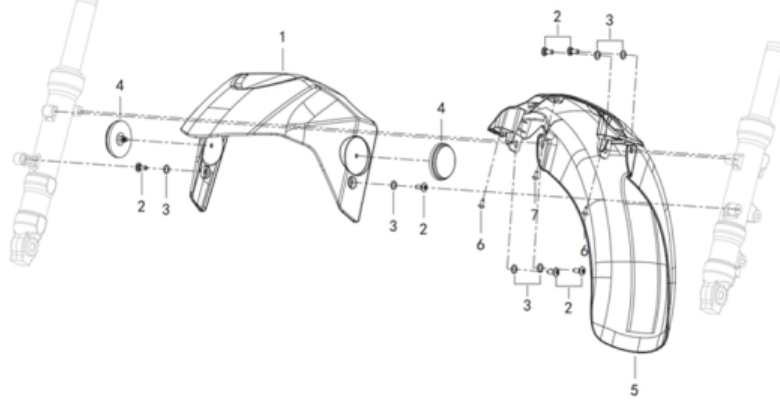
**ENGINE SUPPORTS**



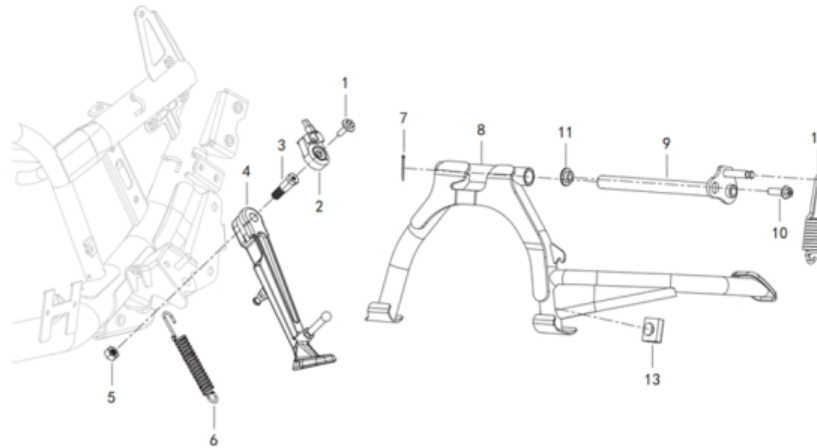
1	ENGINE MOUNT BRACKET X-OVER 357 0/000.980.3419 (u. 1)
2	BEARING 0/000.960.3425 (u. 2)
3	DUST COVER 0/000.200.3405 (u. 2)
4	CENTRAL ENGINE MOUNT SUPPORT SPACER X-OVER 357 0/000.480.3436 (u. 1)
5	LOWER ENGINE SUPPORT SHAFT 0/000.190.3418 (u. 1)
6	SELF-LOCKING NUT M12 0/000.340.46008 (u. 3)
7	LOWER ENGINE SUPPORT SILENTBLOCK RH 0/000.360.3418 (u. 1)
8	REAR ENGINE MOUNT BRACKET 0/000.980.3418 (u. 1)
9	LOWER ENGINE SUPPORT SILENTBLOCK LH 0/000.360.3417 (u. 1)
10	SELF LOCKING NUT M10 0/000.340.3422 (u. 2)
11	ENGINE MOUNT SILENTBLOCK 2 0/000.360.3415 (u. 1)
12	SCREW M10x75 0/000.460.3461 (u. 1)
13	SCREW M10x65 0/000.460.3460 (u. 1)
14	ENGINE MOUNT SILENTBLOCK 1 0/000.360.3412 (u. 1)
15	UPPER ENGINE SHAFT 0/000.190.3415 (u. 1)

<b>16</b>	UPPER ENGINE SUPPORT SHAFT 0/000.190.3419 (u. 1)
<b>17</b>	ENGINE MOUNT SILENTBLOCK 3 0/000.360.3411 (u. 2)
<b>18</b>	RUBBER RING 0/000.360.3416 (u. 2)
<b>19</b>	UPPER ENGINE MOUNT BRACKET 0/000.980.3421 (u. 1)
<b>20</b>	CENTRAL UPPER ENGINE MOUNT SPACER 0/000.480.3434 (u. 1)
<b>21</b>	ENGINE MOUNT RUBBER CAP 0/000.410.3409 (u. 1)

**FRONT MUDGUARD**

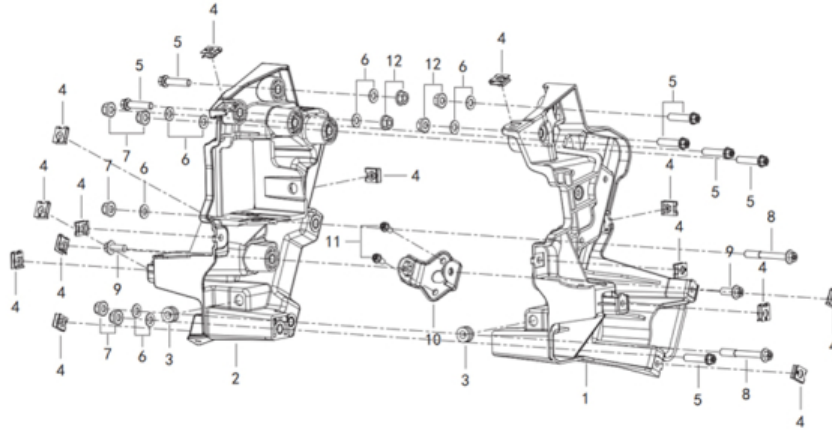


1	FRONT FENDER GRAY 0/000.050.3402 (u. 1)
2	FLAT TORX SCREW WITH CENTERING M6x15 0/000.460.46036 (u. 6)
3	PLASTIC FIXING O-RING 0/000.490.4615 (u. 6)
4	REFLECTOR 0/000.630.4601 (u. 2)
5	INNER FRONT FENDER 0/000.050.3403 (u. 1)
6	SCREW 4.2x13 0/000.460.3476 (u. 2)
7	SCREW 4.2x9 0/000.460.3475 (u. 1)

**KICKSTAND**


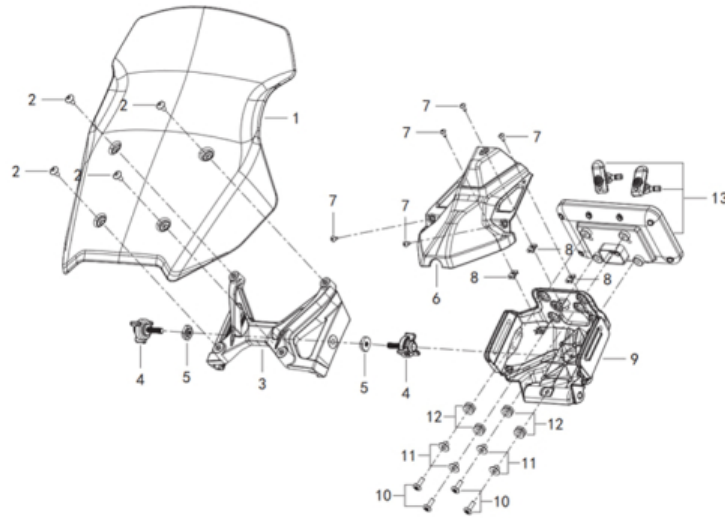
1	SIDE STAND SENSOR SCREW 0/000.460.3410 (u. 1)
2	SIDE STAND SENSOR 0/001.010.3408 (u. 1)
3	SIDE STAND FIXING SCREW 0/000.460.3435 (u. 1)
4	SIDE STAND 0/000.210.3403 (u. 1)
5	NUT M10 0/000.340.3418 (u. 1)
6	SIDE STAND SPRING 0/000.470.3407 (u. 1)
7	SHAFT FIXING PIN 2x25 0/000.840.3401 (u. 1)
8	CENTRAL STAND X-OVER 357 0/000.210.3401 (u. 1)
9	CENTRAL STAND PIN 0/000.190.3422 (u. 1)
10	TORX HEXAGONAL SCREW WITH WASHER M8x25 0/000.460.46048 (u. 1)
11	CENTRAL STAND AXLE BUSH 0/000.480.3438 (u. 1)
12	CENTRAL STAND SPRING X-OVER 357 0/000.470.3409 (u. 1)
13	CENTER STAND RUBBER STOP 0/000.360.3420 (u. 1)

## FRONT HEADLIGHT HOLDER



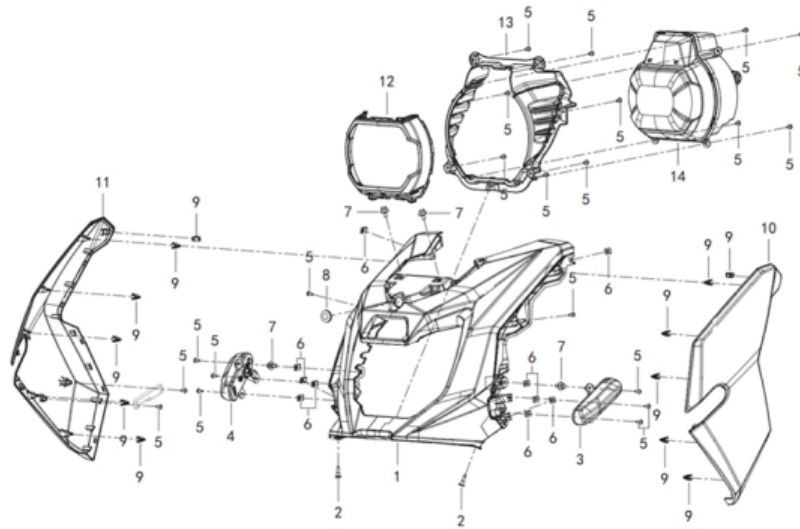
1	HEADLIGHT BRACKET LH 0/000.980.3431 (u. 1)
2	HEADLIGHT BRACKET RH 0/000.980.3432 (u. 1)
3	SILENTBLOCK RUBBER 0/000.360.3424 (u. 2)
4	SPEED NUT M6 0/000.340.3416 (u. 14)
5	SCREW M8x35 0/000.460.3429 (u. 7)
6	GASKET Ø8 0/000.490.3443 (u. 9)
7	SELF LOCKING NUT M8 0/000.340.3421 (u. 5)
8	SCREW M8x65 0/000.460.3415 (u. 2)
9	SCREW M8x20 0/000.460.3411 (u. 2)
10	FRONT HEADLIGHT BRACKET 0/000.980.3401 (u. 1)
11	INTERNAL HEXAGONAL SCREW M6x12 0/000.460.46070 (u. 2)
12	HEXAGONAL FLANGE NUT M8 0/000.340.3420 (u. 4)

## FRONT WINDSHIELD



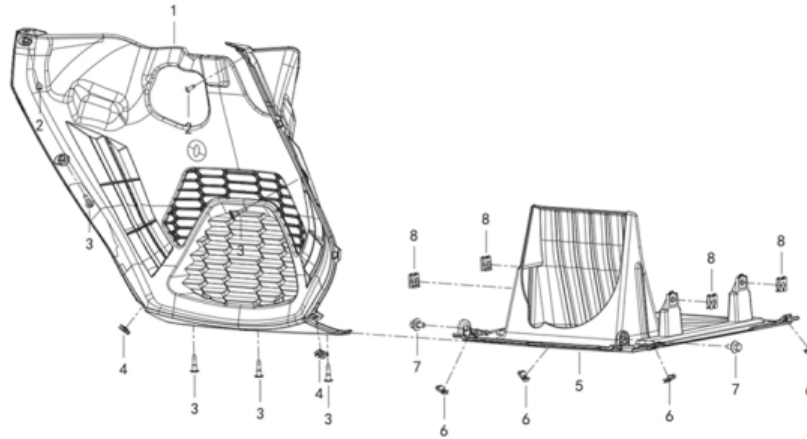
1	WINDSHIELD 0/000.570.3432 (u. 1)
2	SCREW M6x12 0/000.460.3402 (u. 4)
3	WINDSHIELD BRACKET 0/000.980.3434 (u. 1)
4	WINDSHIELD KNOB 0/000.340.3413 (u. 2)
5	SELF LOCKING NUT M8 0/000.340.3401 (u. 2)
6	LOWER WINDSHIELD TRIM 0/000.570.3433 (u. 1)
7	SCREW 4.2x13 0/000.460.3476 (u. 5)
8	QUICK NUT 4.2 0/000.340.46009 (u. 3)
9	SPEEDOMETER BRACKET 0/000.980.3436 (u. 1)
10	DASHBOARD FIXING SCREW 0/000.460.46030 (u. 4)
11	BUSHING Ø6.5xØ18x10.5 0/000.480.3427 (u. 4)
12	SILENTBLOCK RUBBER 0/000.360.3424 (u. 4)
13	DASHBOARD X-OVER 357 0/001.000.3401 (u. 1)

**HEADLIGHT COVERS**

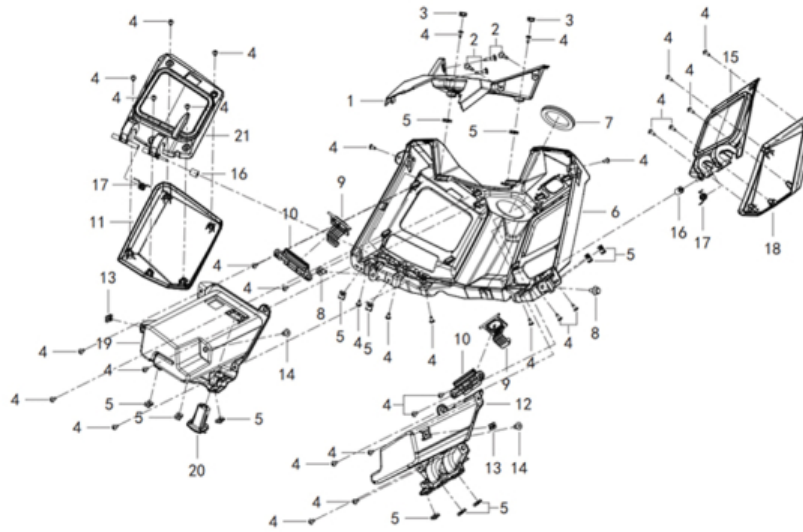


1	HEADLIGHT COVER 0/000.620.3405 (u. 1)
2	CLIP SCREW 0/000.460.3436 (u. 2)
3	FRONT TURN SIGNAL LH 0/000.150.3403 (u. 1)
4	FRONT TURN SIGNAL RH 0/000.150.3404 (u. 1)
5	SCREW 4.2x13 0/000.460.3476 (u. 21)
6	QUICK NUT 4.2 0/000.340.46009 (u. 10)
7	SCREW M6x14 0/000.460.3408 (u. 4)
8	FRONT HEADLIGHT HOLDER CAP 0/000.410.3410 (u. 1)
9	PLASTIC FIXING CLIP 0/000.630.3407 (u. 12)
10	HEADLIGHT HOLDER SIDE LH GRAY 0/000.620.3401 (u. 1)
11	HEADLIGHT HOLDER SIDE RH GRAY 0/000.620.3403 (u. 1)
12	FRONT HEADLIGHT TRIM 0/000.570.3411 (u. 1)
13	GRAY HEADLIGHT HOLDER 0/000.620.3406 (u. 1)
14	FRONT HEADLIGHT X-OVER 357 0/000.150.3401 (u. 1)

**CENTRAL COVERS**

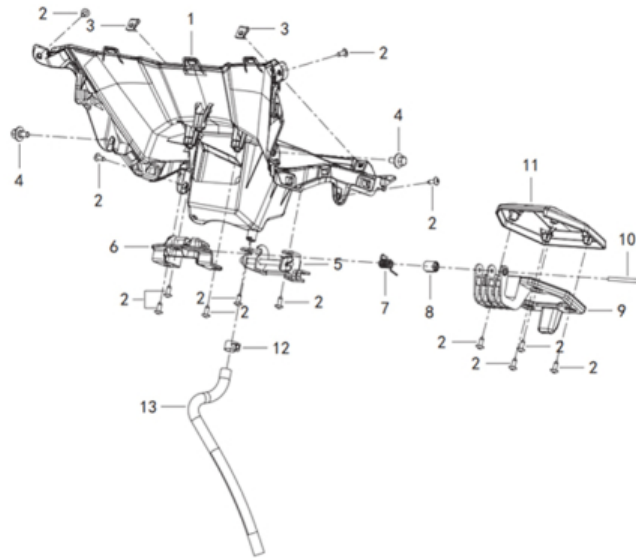


1	FRONT LOWER PROTECTIVE PLATE 0/000.220.3414 (u. 1)
2	SCREW 4.2x13 0/000.460.3476 (u. 2)
3	CLIP SCREW 0/000.460.3436 (u. 5)
4	CARD NUT M5 0/000.340.3415 (u. 2)
5	LOWER PROTECTIVE PLATE 0/000.220.3417 (u. 1)
6	QUICK NUT 4.2 0/000.340.46009 (u. 4)
7	SCREW M6x14 0/000.460.3408 (u. 2)
8	SPEED NUT M6 0/000.340.3416 (u. 4)

**CARGO BOX**

1	INSTRUMENT COVER DECORATIVE COVER 0/000.570.3410 (u. 1)
2	CLIP SCREW 0/000.460.3436 (u. 4)
3	SCREW TRIM CAP 0/000.410.3411 (u. 2)
4	SCREW 4.2x13 0/000.460.3476 (u. 32)
5	QUICK NUT 4.2 0/000.340.46009 (u. 12)
6	FRONT CARGO BOX 0/000.570.3416 (u. 1)
7	IGNITION SWITCH RUBBER MOUNT 0/000.360.3425 (u. 1)
8	SCREW M6x14 0/000.460.3408 (u. 2)
9	FRONT CARGO BOX CONNECTION PLATE 0/000.220.3416 (u. 2)
10	FRONT CARGO BOX CONNECTION PLATE 2 0/000.220.3415 (u. 2)
11	FRONT CARGO BOX RIGHT DECORATIVE COVER 0/000.570.3431 (u. 1)
12	FRONT CARGO BOX LEFT DECORATIVE COVER 0/000.570.3420 (u. 1)
13	CARD NUT M5 0/000.340.3415 (u. 2)
14	TORX SCREW WITH WASHER M6x12 BLACK ZINC 0/000.460.46007 (u. 2)
15	LEFT COVER OF FRONT CARGO BOX 0/000.570.3412 (u. 1)

<b>16</b>	CARGO BOX COVER BUSH 0/000.480.3437 (u. 2)
<b>17</b>	CARGO BOX COVER SPRING 0/000.470.3410 (u. 2)
<b>18</b>	LEFT DECORATIVE COVER OF FRONT CARGO BOX 0/000.570.3430 (u. 1)
<b>19</b>	FRONT CARGO BOX RIGHT INNER PANEL 0/000.570.3421 (u. 1)
<b>20</b>	USB CHARGING PORT 0/001.200.3404 (u. 1)
<b>21</b>	RIGHT COVER FRONT CARGO BOX 0/000.570.3413 (u. 1)

**FUEL TANK COVERS**


**1** REAR DECORATIVE COVER OF FUEL TANK  
0/000.570.3429 (u. 1)

**2** SCREW 4.2x13  
0/000.460.3476 (u. 13)

**3** QUICK NUT 4.2  
0/000.340.46009 (u. 2)

**4** SCREW M6x14  
0/000.460.3408 (u. 2)

**5** FUEL TANK CAP BRACKET  
0/000.980.3413 (u. 1)

**6** FRONT FUEL TANK CAP BRACKET  
0/000.980.3433 (u. 1)

**7** FUEL TANK CAP SPRING  
0/000.470.3411 (u. 1)

**8** CARGO BOX COVER BUSH  
0/000.480.3437 (u. 1)

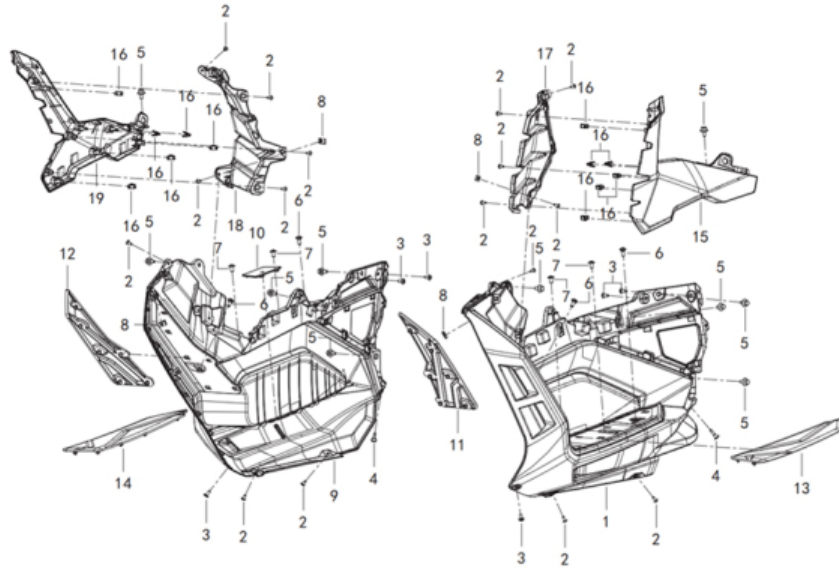
**9** FUEL TANK CAP BASE  
0/000.570.3422 (u. 1)

**10** FUEL TANK CAP PIN  
0/000.190.3423 (u. 1)

**11** FUEL TANK COVER  
0/000.350.3421 (u. 1)

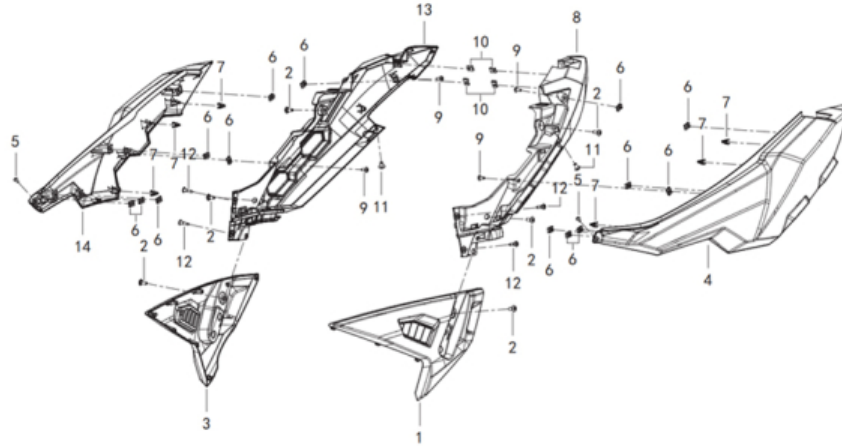
**12** SPRING CLAMP Ø13.5  
0/000.470.3406 (u. 1)

**13** FUEL OVERFLOW HOSE  
0/000.290.3435 (u. 1)

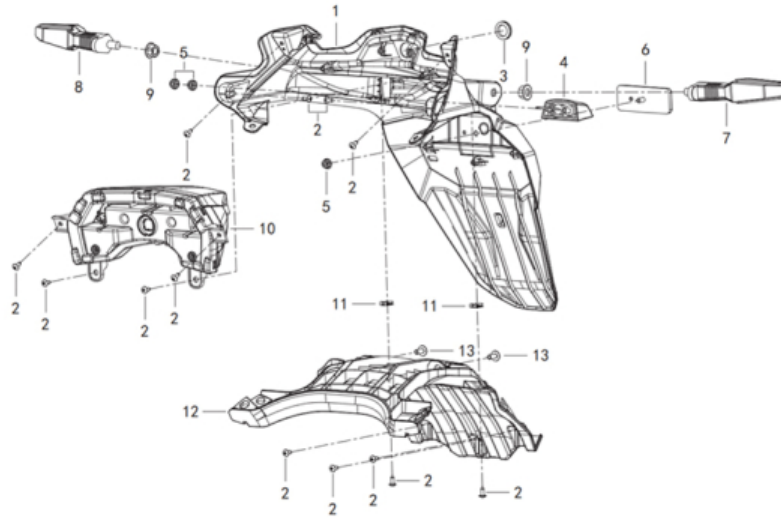
**FOOTREST**


1	FRONT LEFT FOOTREST BOTTOM PLATE 0/000.570.3414 (u. 1)
2	SCREW 4.2x13 0/000.460.3476 (u. 16)
3	TORX SCREW WITH WASHER M5x12 BLACK ZINC 0/000.460.46002 (u. 6)
4	CLIP SCREW 0/000.460.3436 (u. 2)
5	SCREW M6x14 0/000.460.3408 (u. 10)
6	FLAT TORX SCREW WITH CENTERING M6x15 0/000.460.46036 (u. 4)
7	TORX SCREW WITH WASHER M6x12 BLACK ZINC 0/000.460.46007 (u. 4)
8	QUICK NUT 4.2 0/000.340.46009 (u. 8)
9	FRONT RIGHT FOOTREST BOTTOM PLATE 0/000.570.3419 (u. 1)
10	FRONT RIGHT INNER PANEL 0/000.220.3418 (u. 1)
11	FRONT LEFT FOOTREST DECORATIVE PANEL 0/000.570.3417 (u. 1)
12	FRONT RIGHT FOOTREST DECORATIVE PANEL 0/000.570.3418 (u. 1)
13	LEFT FOOTREST RUBBER 0/000.360.3421 (u. 1)
14	RIGHT FOOTREST RUBBER 0/000.360.3422 (u. 1)
15	LEFT DECORATIVE COVER OF FUEL TANK GRAY 0/000.570.3424 (u. 1)

<b>16</b>	PLASTIC FIXING CLIP 0/000.630.3407 (u. 12)
<b>17</b>	LEFT DECORATIVE COVER OF FUEL TANK 0/000.570.3427 (u. 1)
<b>18</b>	RIGHT DECORATIVE COVER OF FUEL TANK 0/000.570.3428 (u. 1)
<b>19</b>	RIGHT FUEL TANK DECORATIVE COVER GRAY 0/000.570.3426 (u. 1)

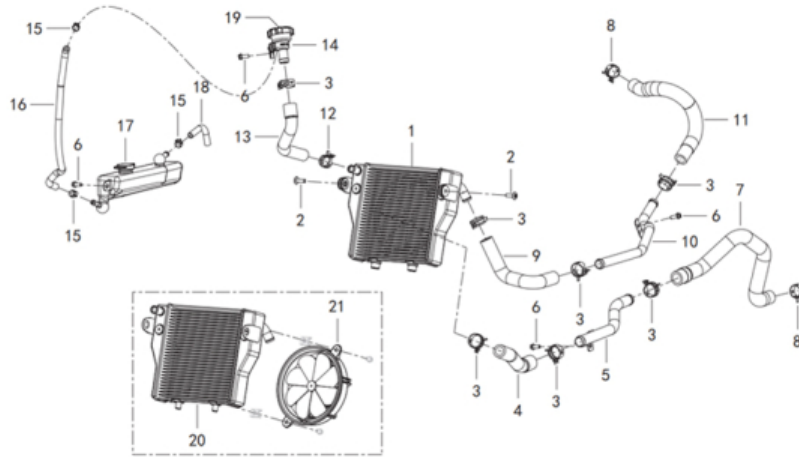
**REAR COVERS**


1	LEFT COVER 0/000.570.3434 (u. 1)
2	FLAT TORX SCREW WITH CENTERING M6x15 0/000.460.46036 (u. 6)
3	RIGHT COVER 0/000.570.3435 (u. 1)
4	LEFT REAR GREY PANEL X-OVER 125 WITH STICKER 0/000.570.3438 (u. 1)
5	SCREW 4.2x13 0/000.460.3476 (u. 2)
6	CARD NUT M5 0/000.340.3415 (u. 14)
7	PLASTIC FIXING CLIP 0/000.630.3407 (u. 6)
8	LEFT REAR PANEL DECORATIVE PANEL 0/000.570.3442 (u. 1)
9	TORX SCREW WITH WASHER M5x12 BLACK ZINC 0/000.460.46002 (u. 4)
10	QUICK NUT 4.2 0/000.340.46009 (u. 4)
11	TORX SCREW WITH WASHER M6x12 BLACK ZINC 0/000.460.46007 (u. 2)
12	CLIP SCREW 0/000.460.3436 (u. 4)
13	RIGHT REAR PANEL DECORATIVE PANEL 0/000.570.3443 (u. 1)
14	RIGHT REAR GREY PANEL X-OVER 125 WITH STICKER 0/000.570.3440 (u. 1)

**REAR MUDGUARD**


<b>1</b>	<b>REAR FENDER LICENSE PLATE HOLDER</b> 0/000.060.3401 (u. 1)
<b>2</b>	<b>SCREW 4.2x13</b> 0/000.460.3476 (u. 13)
<b>3</b>	<b>FRONT HEADLIGHT HOLDER CAP</b> 0/000.410.3410 (u. 1)
<b>4</b>	<b>LICENSE PLATE LIGHT</b> 0/000.150.3408 (u. 1)
<b>5</b>	<b>NUT M6</b> 0/000.340.3419 (u. 3)
<b>6</b>	<b>REAR REFLECTOR</b> 0/000.630.3405 (u. 1)
<b>7</b>	<b>REAR TURN SIGNAL LH</b> 0/000.150.3405 (u. 1)
<b>8</b>	<b>REAR TURN SIGNAL RH</b> 0/000.150.3406 (u. 1)
<b>9</b>	<b>NUT M10</b> 0/000.340.3407 (u. 2)
<b>10</b>	<b>REAR LIGHTS</b> 0/000.150.3407 (u. 1)
<b>11</b>	<b>QUICK NUT 4.2</b> 0/000.340.46009 (u. 2)
<b>12</b>	<b>REAR MUDGUARD LOWER BAFFLE</b> 0/000.060.3402 (u. 1)
<b>13</b>	<b>SPECIAL SCREW WITH TORX WASHER M6x14 BLACK ZINC</b> 0/000.460.46008 (u. 2)

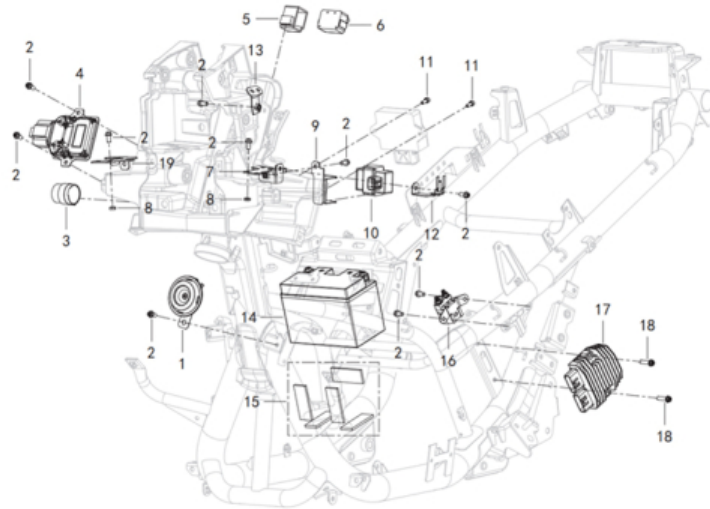
**COOLING SYSTEM**



1	RADIATOR WITH FAN X-OVER 357 0/000.580.3401 (u. 1)
2	DASHBOARD FIXING SCREW 0/000.460.46030 (u. 2)
3	CLAMP 0/000.680.3402 (u. 7)
4	ENGINE COOLANT INLET PIPE 0/000.290.3405 (u. 1)
5	ENGINE COOLANT INLET PIPE 2 0/000.290.3404 (u. 1)
6	TORX HEXAGONAL SCREW WITH WASHER M6x14 0/000.460.46043 (u. 4)
7	ENGINE COOLANT INLET PIPE 3 0/000.290.3406 (u. 1)
8	CLAMP 0/000.680.3401 (u. 2)
9	ENGINE COOLANT OUTLET PIPE 0/000.290.3408 (u. 1)
10	ENGINE COOLANT OUTLET PIPE 2 0/000.290.3407 (u. 1)
11	ENGINE COOLANT OUTLET PIPE 3 0/000.290.3409 (u. 1)
12	CLAMP Ø12 0/000.680.3406 (u. 1)
13	COOLANT FILLER HOSE 0/000.290.3401 (u. 1)
14	WATER INLET COMPONENT 0/000.570.3402 (u. 1)
15	CLAMP Ø13.3 0/000.680.3422 (u. 3)

<b>16</b>	TUBO TAPON RADIADOR A DEPOSITO EXPANSION 0/000.290.3402 (u. 1)
<b>17</b>	EXPANSION TANK 0/000.030.3401 (u. 1)
<b>18</b>	FUEL TANK PIPE 0/000.290.4622 (u. 1)
<b>19</b>	RADIATOR CAP 0/000.410.4613 (u. 1)
<b>20</b>	RADIATOR X-OVER 357 0/000.580.3402 (u. 1)
<b>21</b>	RADIATOR COOLING FAN 0/005.070.3401 (u. 1)

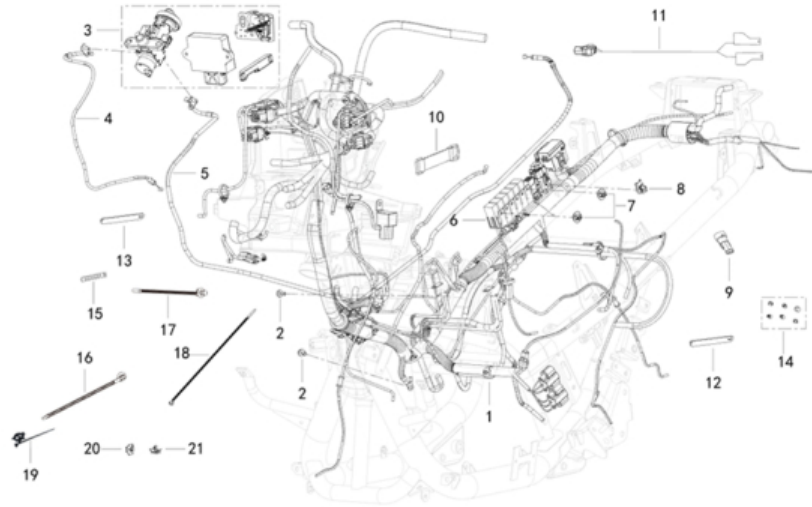
## ELECTRICAL COMPONENTS



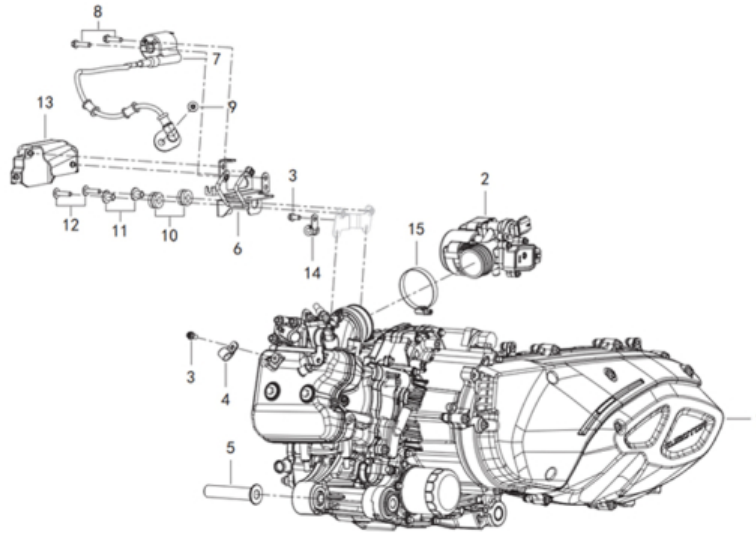
1	<b>HORN</b> 0/000.420.3401 (u. 1)
2	<b>INTERNAL HEXAGONAL SCREW M6x12</b> 0/000.460.46070 (u. 10)
3	<b>RELE INTERMITENCIA</b> 0/001.200.3403 (u. 1)
4	<b>ECU X-OVER 357</b> 0/005.705.3402 (u. 1)
5	<b>SENSOR FALL RUBBER SUPPORT</b> 0/000.980.4604 (u. 1)
6	<b>LEAN SENSOR</b> 0/001.010.4608 (u. 1)
7	<b>BRACKET FOR AUXILIARY LIGHTING CONTROLLER</b> 0/000.980.3427 (u. 1)
8	<b>THIN NUT M6</b> 0/000.340.3417 (u. 2)
9	<b>LIGHT RELAY BRACKET X-OVER 357</b> 0/000.980.3428 (u. 1)
10	<b>LIGHT RELAY X-OVER 357</b> 0/001.200.3402 (u. 1)
11	<b>TORX CYLINDRICAL HEAD SCREW M5x12</b> 0/000.460.46105 (u. 2)
12	<b>FUSE BOX BRACKET</b> 0/000.980.3429 (u. 1)
13	<b>PLUGIN INSTALLATION BRACKET</b> 0/000.980.3423 (u. 1)
14	<b>BATTERY</b> 0/000.900.4601 (u. 1)
15	<b>BATTERY FOAMS</b> 0/000.980.4635 (u. 5)

<b>16</b>	STARTER RELAY X-OVER 357 0/001.200.3401 (u. 1)
<b>17</b>	REGULATOR 0/005.070.4601 (u. 1)
<b>18</b>	INTERNAL HEXAGONAL SCREW M6x25 0/000.460.46073 (u. 2)
<b>19</b>	ECU BRACKET 0/000.980.3430 (u. 1)

## ELECTRICAL SYSTEM



1	MAIN WIRING HARNESS X-OVER 357 0/000.160.3401 (u. 1)
2	GROUNDING BOLT ASSEMBLY 0/000.460.3406 (u. 2)
3	LOCK SET + KEYS + ELECTRONIC LOCK ECU 0/001.060.3401 (u. 1)
4	FUEL TANK CAP LOCK CABLE 0/000.550.3404 (u. 1)
5	SEAT LOCK CABLE 0/000.550.3405 (u. 1)
6	SET OF RELAYS 0/001.200.4602 (u. 6)
7	RELAY FIXING CLIP 0/000.630.3406 (u. 2)
8	FIXING CLIP ABS CAP 0/000.630.4604 (u. 1)
9	BRAKE SWITCH CABLE 0/000.160.3403 (u. 2)
10	DIAGNOSTIC CONNECTOR CAP ABS 0/000.410.4602 (u. 1)
11	BELT TOOL KIT 0/000.680.4601 (u. 1)
12	RUBBER CLAMP FOR CABLE FIXATION 0/000.680.4623 (u. 1)

**COMPLETE ENGINE - INJECTION**


1	<b>IGNITION COIL BRACKET</b> 0/000.980.3415 (u. 1)
	<b>COMPLETE ENGINE X-OVER 357</b> 0/005.082.3405 (u. 1)
2	<b>INJECTION BODY X-OVER 357</b> 0/005.158.3403 (u. 1)
3	<b>INTERNAL HEXAGONAL SCREW M6x12</b> 0/000.460.46070 (u. 2)
4	<b>CABLE CLAMP</b> 0/000.680.3416 (u. 1)
5	<b>ENGINE SUPPORT SHAFT BUSH</b> 0/000.480.3416 (u. 1)
7	<b>IGNITION COIL X-OVER 357</b> 0/005.070.3403 (u. 1)
8	<b>HEXAGON SOCKET SCREW M6x20</b> 0/000.460.46072 (u. 2)
9	<b>SCREW M6x19</b> 0/000.460.3405 (u. 1)
10	<b>DECAL SET X-OVER 125 / 300</b> 0/000.360.3401 (u. 2)
11	<b>IGNITION COIL BRACKET BUSH</b> 0/000.480.3428 (u. 2)
12	<b>FLAT HEAD TPRZ SCREW M6x25</b> 0/000.460.46034 (u. 2)
13	<b>IGNITION COIL RUBBER PROTECTOR</b> 0/000.360.3426 (u. 1)
14	<b>wire calamp</b> 0/000.680.3423 (u. 1)
15	<b>WORM GEAR CLAMP 40-60</b> 0/000.680.4606 (u. 1)

STICKERS SET



1

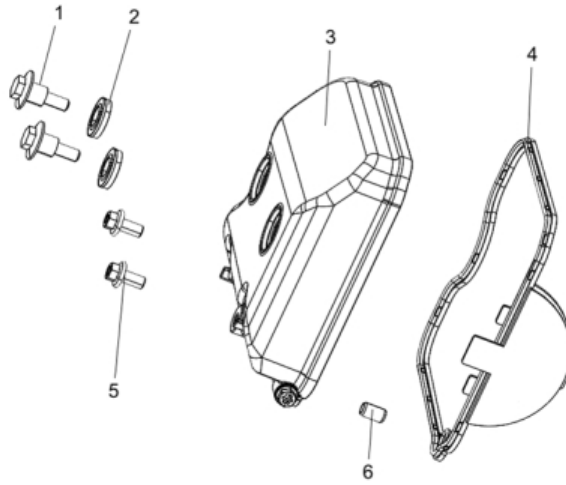


1

X-OVER 125 / 357 STICKER SET  
0/000.390.3401 (u. 1)

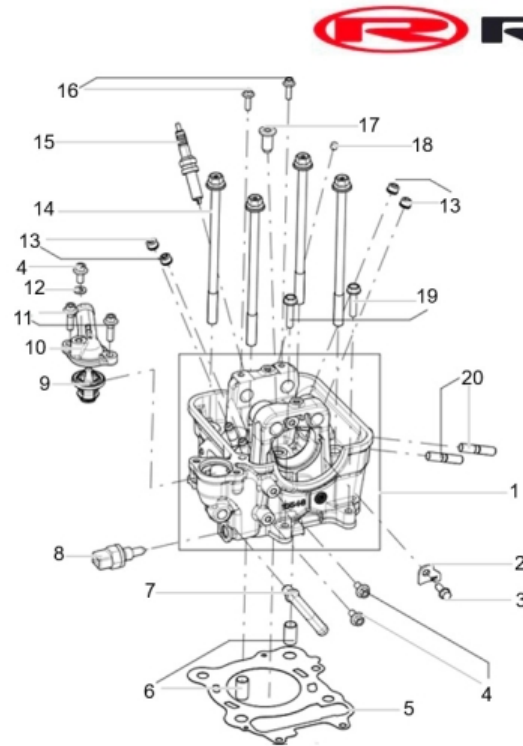
# MOTOR X-OVER 357

**CYLINDER HEAD COVER**



1	CYLINDER HEAD COVER BOLT 0/000.460.46144 (u. 2)
2	CYLINDER HEAD COVER BOLT SEALING RING 0/000.490.4646 (u. 2)
3	CYLINDER HEAD COVER X-OVER 357 0/005.770.3404 (u. 1)
4	CYLINDER HEAD COVER GASKET X-OVER 357 0/000.490.3405 (u. 1)
5	BOLT M6x12 0/000.460.46167 (u. 2)
6	OIL RISE CENTERING BUSHING 0/000.480.4627 (u. 1)

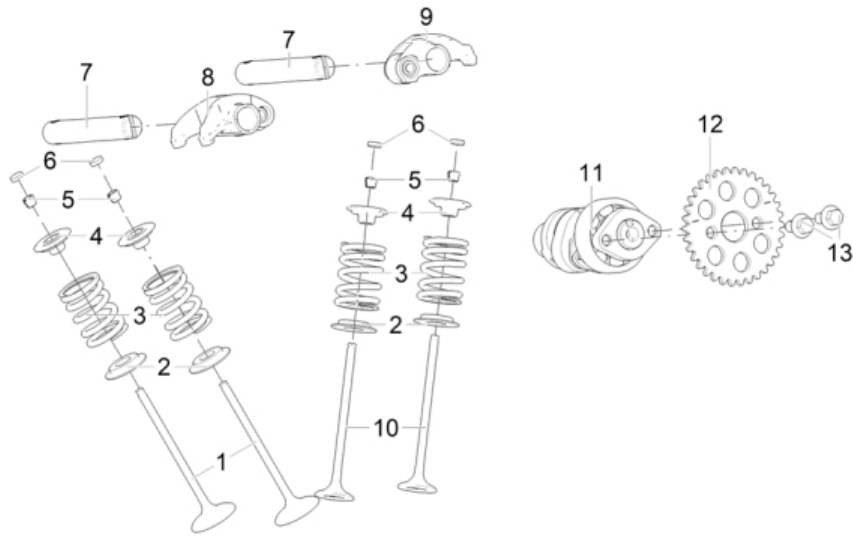
## CYLINDER HEAD



1	CYLINDER HEAD X-OVER 357 0/005.770.3403 (u. 1)
2	CLAMP PLATE 0/000.220.3402 (u. 1)
3	SCREW M6x14 0/000.460.46087 (u. 1)
4	BOLT M6x12 0/000.460.46167 (u. 3)
5	CYLINDER HEAD GASKET X-OVER 357 0/000.490.3403 (u. 1)
6	DOWEL PIN Ø12x20 0/000.280.3404 (u. 2)
7	CYLINDER HEAD WATER PIPE 0/000.290.3413 (u. 1)
8	COOLANT TEMPERATURE SENSOR X-OVER 357 0/001.010.3405 (u. 1)
9	THERMOSTAT X-OVER 357 0/001.010.3401 (u. 1)
10	THERMOSTAT COVER 0/000.350.3401 (u. 1)
11	SCREW M6x20 0/000.460.3441 (u. 2)
12	WASHER 6 0/000.440.46033 (u. 1)
13	OIL SEAL SYS. VALVE 0/000.490.4649 (u. 4)
14	CYLINDER FIXING SCREW X-OVER 357 0/000.460.3421 (u. 4)
15	SPARK PLUG 0/005.110.3401 (u. 1)

<b>16</b>	SCREW M5x16 0/000.460.3438 (u. 2)
<b>17</b>	OIL PLUG SCREW 0/000.460.3420 (u. 1)
<b>18</b>	OIL CAP 0/000.410.3401 (u. 1)
<b>19</b>	TORNILLO M6x28 0/000.460.3459 (u. 2)
<b>20</b>	STUD M8 0/000.290.3412 (u. 2)

**VALVES**

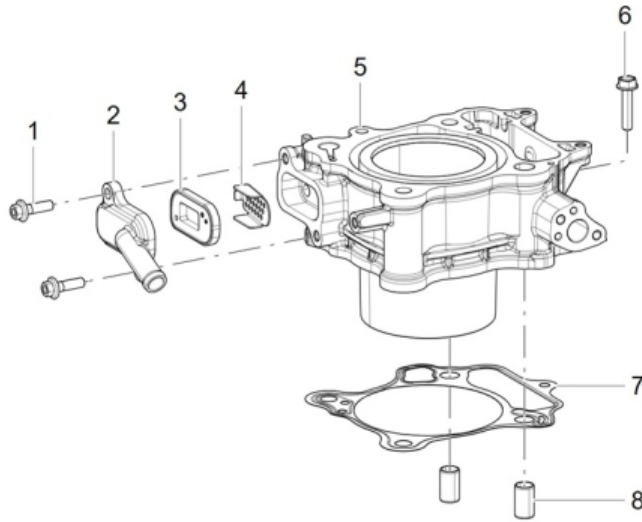


1	INTAKE VALVE X-OVER 357 0/000.640.3403 (u. 2)
2	LOWER VALVE SPRING SEAT BUSH X-OVER 357 0/000.480.3405 (u. 4)
3	INTAKE VALVE SPRING X-OVER 357 0/000.470.3402 (u. 4)
4	UPPER VALVE SPRING SEAT BUSH X-OVER 357 0/000.480.3403 (u. 4)
5	VALVE RETAINER CLIP X-OVER 357 0/000.240.3401 (u. 8)

	VALVE ADJUSTING SHIM 1.9 0/000.440.3410 (u. 4)
	VALVE ADJUSTING SHIM 1.875 0/000.440.3409 (u. 4)
	VALVE ADJUSTING SHIM 2.050 0/000.440.3416 (u. 4)
	VALVE ADJUSTING SHIM 2.25 0/000.440.3424 (u. 4)
	VALVE ADJUSTING SHIM 2.150 0/000.440.3420 (u. 4)
	VALVE ADJUSTING SHIM 1.8 0/000.440.3406 (u. 4)
	VALVE ADJUSTING SHIM 2.35 0/000.440.3428 (u. 4)
	VALVE ADJUSTING SHIM 1.825 0/000.440.3407 (u. 4)
	VALVE ADJUSTING SHIM 2.2 0/000.440.3422 (u. 4)
	VALVE ADJUSTING SHIM 2.175 0/000.440.3421 (u. 4)
	VALVE ADJUSTING SHIM 2 0/000.440.3414 (u. 4)
	VALVE ADJUSTING SHIM 2.125 0/000.440.3419 (u. 4)
	VALVE ADJUSTING SHIM 1.925 0/000.440.3411 (u. 4)
6	VALVE ADJUSTING SHIM 2.025 0/000.440.3415 (u. 4)
	VALVE ADJUSTING SHIM 1.85 0/000.440.3408 (u. 4)
	VALVE ADJUSTING SHIM 1.95 0/000.440.3412 (u. 4)
	VALVE ADJUSTING SHIM 1.975 0/000.440.3413 (u. 4)
	VALVE ADJUSTING SHIM 1.775 0/000.440.3405 (u. 4)
	VALVE ADJUSTING SHIM 1.75 0/000.440.3404 (u. 4)
	VALVE ADJUSTING SHIM 2.225 0/000.440.3423 (u. 4)
	VALVE ADJUSTING SHIM 2.1 0/000.440.3418 (u. 4)
	VALVE ADJUSTING SHIM 0/000.440.3403 (u. 4)
	VALVE ADJUSTING SHIM 2.275 0/000.440.3425 (u. 4)
	VALVE ADJUSTING SHIM 2.3 0/000.440.3426 (u. 4)
	VALVE ADJUSTING SHIM 2.325 0/000.440.3427 (u. 4)
	VALVE ADJUSTING SHIM 2.075 0/000.440.3417 (u. 4)
7	ROCKER ARM SHAFT X-OVER 357 0/000.190.3402 (u. 2)
8	INTAKE VALVE ROCKER ARM X-OVER 357 0/005.159.3402 (u. 1)

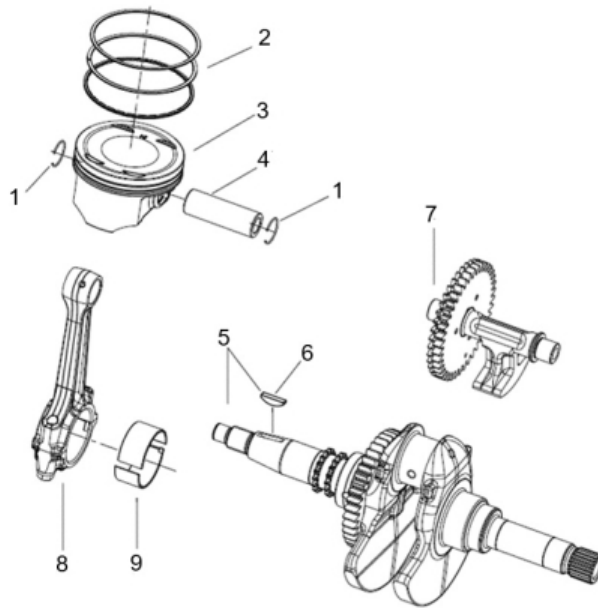
<b>9</b>	EXHAUST VALVE ROCKER ARM X-OVER 357 0/005.159.3404 (u. 1)
<b>10</b>	EXHAUST VALVE X-OVER 357 0/000.640.3405 (u. 2)
<b>11</b>	CAMSHAFT ASSEMBLY 0/005.010.3402 (u. 1)
<b>12</b>	TIMING CHAIN SPROCKET X-OVER 357 0/000.500.3402 (u. 1)
<b>13</b>	SCREW M6x12 0/000.460.3439 (u. 2)

## CYLINDER



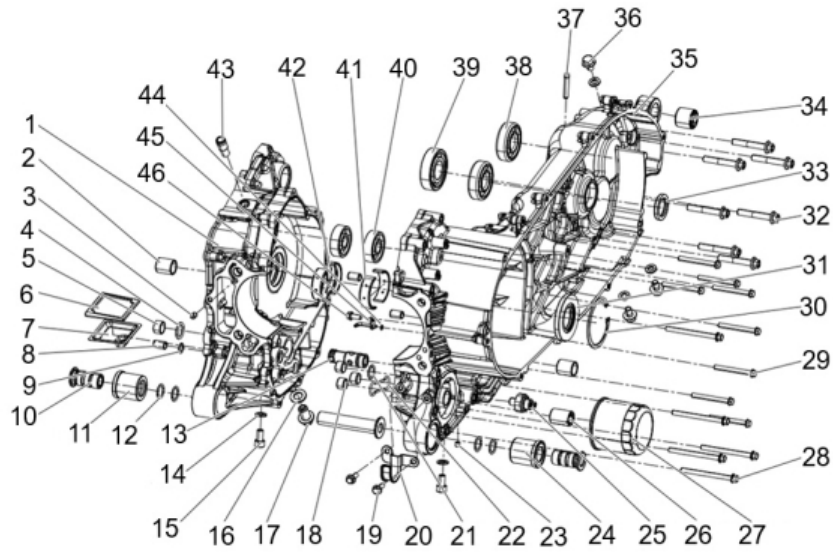
1	SCREW M6x20 0/000.460.3441 (u. 2)
2	AIR INLET COVER 0/000.350.3403 (u. 1)
3	REED VALVE 0/000.640.3401 (u. 1)
4	PROTECTIVE FILTER 0/001.070.3401 (u. 1)
5	CYLINDER X-OVER 357 0/005.190.3402 (u. 1)
6	TORNILLO M6x28 0/000.460.3459 (u. 1)
7	CYLINDER GASKET X-OVER 357 0/000.490.3410 (u. 1)
8	DOWEL PIN Ø12x20 0/000.280.3404 (u. 2)

**PISTON - CONNECTING ROD - CRANKSHAFT**



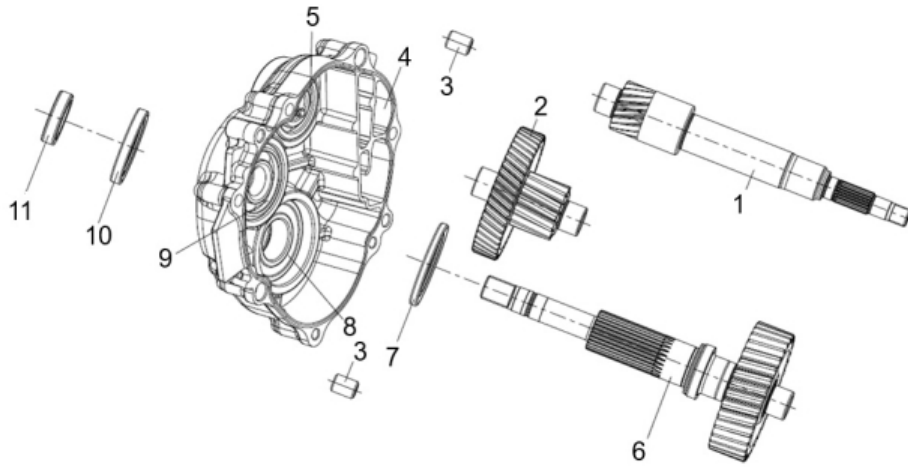
1	PISTON PIN CIRCLIP X-OVER 357 0/000.300.3405 (u. 2)
2	PISTON RINGS X-OVER 357 0/000.300.3402 (u. 1)
3	PISTON X-OVER 357 0/005.711.3402 (u. 1)
4	PISTON PIN X-OVER 357 0/000.190.3406 (u. 1)
5	CONJUNTO CIGÜEÑAL x-over 357 0/005.380.3402 (u. 1)
6	WOODRUFF KEY CRANKSHAFT 0/005.490.3401 (u. 1)
7	BALANCE SHAFT 0/000.190.3407 (u. 1)
8	CONNECTING ROD X-OVER 357 0/005.715.3401 (u. 1)
9	CONNECTING ROD BEARING (BROWN) 0/000.960.3407 (u. 2)
	CONNECTING ROD BEARING (BLACK) 0/000.960.3408 (u. 2)
	CONNECTING ROD BEARING (GREEN) 0/000.960.3406 (u. 2)
	CONNECTING ROD BEARING (BLUE) 0/000.960.3409 (u. 2)
	CONNECTING ROD BEARING (YELLOW) 0/000.960.3405 (u. 2)

**CRANKCASE ASSY.**

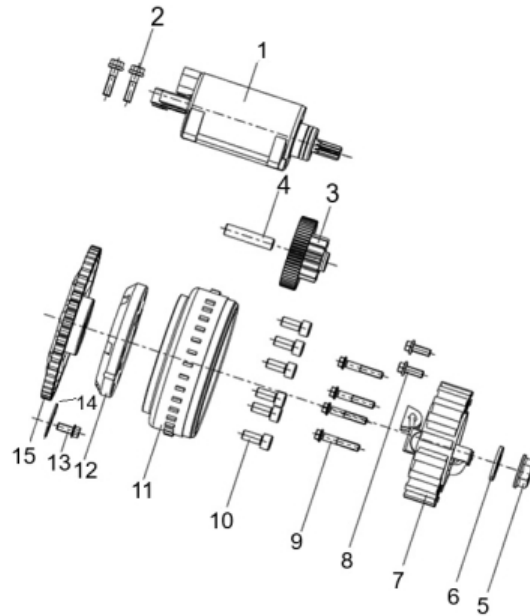


1	RIGHT CRANKCASE ASSEMBLY 0/005.700.3404 (u. 1)
2	CENTER SUPPORT SHAFT SLEEVE 0/000.480.3412 (u. 2)
3	FLOW-LIMITING PLUG 0/000.410.3402 (u. 1)
4	O-RING 16.8x3.1 0/000.490.3415 (u. 1)
5	WATERWAY BUSHING 0/000.480.3410 (u. 1)
6	OIL FILTER X-OVER 357 0/001.070.3403 (u. 1)
7	OIL-ABSORBING PLATE 0/000.220.3404 (u. 1)
8	LOCATING PIN SLEEVE 10x16 0/000.480.3406 (u. 3)
9	O-RING 10x2 0/000.490.4642 (u. 1)
10	INNER LINER SLEEVE 0/000.480.3413 (u. 2)
11	INNER LINER SLEEVE 2 0/000.480.3415 (u. 1)
12	O-RING 0/000.490.3407 (u. 4)
13	PRESSURE RELIEF VALVE ASSEMBLY 0/000.640.3406 (u. 1)
14	SEALING GASKET 0/000.490.3411 (u. 5)
15	SCREW M8x15 0/000.460.3466 (u. 2)

16	OIL DRAIN SCREW WASHER 0/000.490.3427 (u. 1)
17	ABLASSSCHRAUBE M12x22 0/000.460.46151 (u. 3)
18	RETAINING RING 15X13X10 0/000.300.3401 (u. 3)
19	SCREW M6x16 0/000.460.3440 (u. 1)
20	CLAMP 1 0/000.680.3404 (u. 1)
21	O-RING 0/000.490.3418 (u. 1)
22	OIL PASSAGE SEALING RING 0/000.490.3414 (u. 1)
23	OIL CAP 0/000.410.3401 (u. 1)
24	INNER LINER SLEEVE 1 0/000.480.3414 (u. 1)
25	OIL PRESSURE LOW PRESSURE ALARM 0/001.010.4615 (u. 1)
26	ADAPTER SCREW 0/000.460.46069 (u. 1)
27	OIL FILTER 0/001.070.3405 (u. 1)
28	SCREW M6x75 0/000.460.3447 (u. 5)
29	SCREW M6x55 0/000.460.3444 (u. 8)
30	CIRCLIP 65 0/000.300.3411 (u. 1)
31	OIL SEAL 33X64X7 0/000.890.3401 (u. 1)
32	SCREW M8x50 0/000.460.3454 (u. 7)
33	OIL SEAL 25X35X5 0/000.890.3404 (u. 1)
34	REAR SILENTBLOCK 0/000.360.3404 (u. 1)
35	LEFT CRANKCASE ASSEMBLY X-OVER 357 0/005.700.3403 (u. 1)
36	SCREW M8x12 0/000.460.3451 (u. 3)
37	CRANKCASE BREATHER 0/000.630.3402 (u. 1)
38	BEARING 1 CRANKCASE X-OVER 357 0/000.960.3423 (u. 2)
39	BEARING 2 CRANKCASE X-OVER 357 0/000.960.3402 (u. 1)
40	BEARING 3 CRANKCASE X-OVER 357 0/000.960.3420 (u. 2)
43	UPPER CRANKCASE BREATHER 0/000.630.3401 (u. 1)
44	O-RING 3.8X1.4 0/000.490.3416 (u. 1)
46	SCREW M6x14 0/000.460.3462 (u. 1)

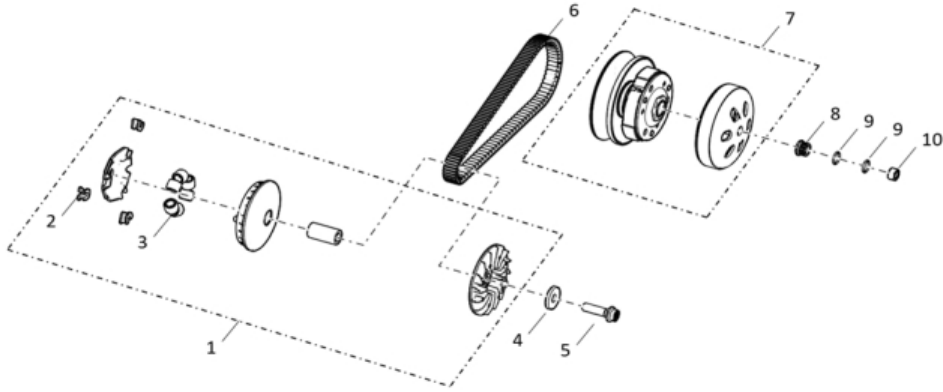
**TRANSMISSION MECHANISM**


1	TRANSMISSION INPUT SHAFT 0/000.190.3411 (u. 1)
2	TRANSMISSION MIDDLE SHAFT X-OVER 357 0/000.190.3413 (u. 1)
3	POSITIONING SLEEVE 0/000.240.4611 (u. 2)
4	TRANSMISSION COVER X-OVER 357 0/000.350.3412 (u. 1)
5	TRANSMISSION BEARING 1 X-OVER 357 0/000.960.3416 (u. 1)
6	SECONDARY SHAFT X-OVER 357 0/000.190.3409 (u. 1)
7	OIL SEAL 37X58X5 0/000.890.3407 (u. 1)
8	TRANSMISSION BEARING 2 X-OVER 357 0/000.960.3424 (u. 1)
9	BEARING 1 CRANKCASE X-OVER 357 0/000.960.3423 (u. 1)
10	OIL SEAL 36X52X7 0/000.890.3406 (u. 1)
11	OUTPUT SHAFT BUSHING 0/000.480.3419 (u. 1)

**STARTING SYSTEM**


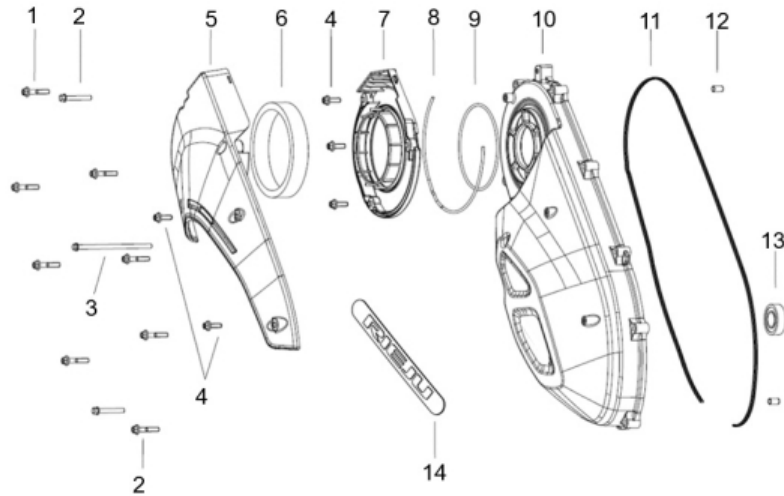
1	STARTER MOTOR X-OVER 357 0/005.082.3401 (u. 1)
2	SCREW M6x25 0/000.460.46089 (u. 2)
3	REDUCTION GEAR 0/005.400.3402 (u. 1)
4	REDUCTION GEAR SHAFT 0/000.190.3414 (u. 1)
5	NUT M16 0/000.340.3406 (u. 1)
6	SHIM 16X31X3 0/000.440.3437 (u. 1)
7	STATOR X-OVER 357 0/005.820.3405 (u. 1)
8	SCREW M6x16 0/000.460.3440 (u. 2)
9	BOLT M6x35 0/000.460.46157 (u. 4)
10	SCREW M8x18 0/000.460.46180 (u. 6)
11	ROTOR X-OVER 357 0/005.820.3403 (u. 1)
12	ONE WAY CLUTCH ASSEMBLY 0/005.820.3401 (u. 1)
13	SCREW M6x14 0/000.460.46087 (u. 1)
14	LIMIT PRESSURE PLATE 0/000.220.3407 (u. 1)
15	STARTER LARGE GEAR 0/005.400.3403 (u. 1)

## CLUTCH



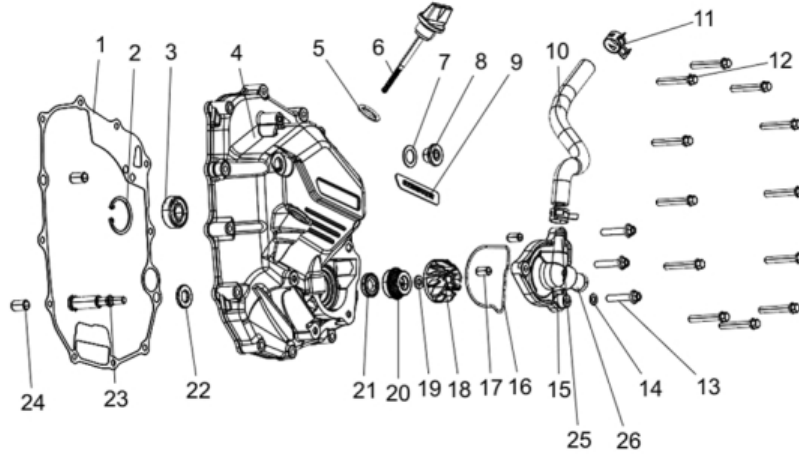
1	COMBINATION OF ACTIVE ROULETTE 0/000.500.3404 (u. 1)
2	DRIVE PULLEY SLIDER 0/000.710.3405 (u. 3)
3	DRIVEN PULLEY COUNTERWEIGHT X-OVER 357 0/005.075.3401 (u. 6)
4	WASHER 0/000.440.3432 (u. 1)
5	BOLT M12x45 0/000.460.46164 (u. 1)
6	BELT 0/001.050.3404 (u. 1)
7	DRIVEN WHEEL COMBINATION 0/000.500.3406 (u. 1)
8	BUSHING 0/000.480.3417 (u. 1)
9	O-RING 17X1.6 0/000.490.3428 (u. 2)
10	NUT M12 0/000.340.3404 (u. 1)

**LEFT COVER ASSY.**



1	SCREW M6x32 0/000.460.46091 (u. 2)
2	SCREW M6x40 0/000.460.46092 (u. 8)
3	SCREW M6x115 0/000.460.3449 (u. 1)
4	BOLT M6x18 0/000.460.46168 (u. 5)
5	X-OVER 357 AIR INTAKE COVER 0/000.350.3409 (u. 1)
7	WIND SCOOPER COMPONENT 0/000.570.3401 (u. 1)
8	OUTER AIR DEFLECTOR GASKET 0/000.490.3425 (u. 1)
9	INNER AIR DEFLECTOR GASKET 0/000.490.3424 (u. 1)
10	X-OVER 357 TRANSMISSION COVER 0/000.350.3407 (u. 1)
11	X-OVER 357 TRANSMISSION COVER GASKET 0/000.490.3422 (u. 1)
12	CENTERING BUSHING 0/000.480.4631 (u. 2)
13	TRANSMISSION COVER BEARING 0/000.960.3412 (u. 1)

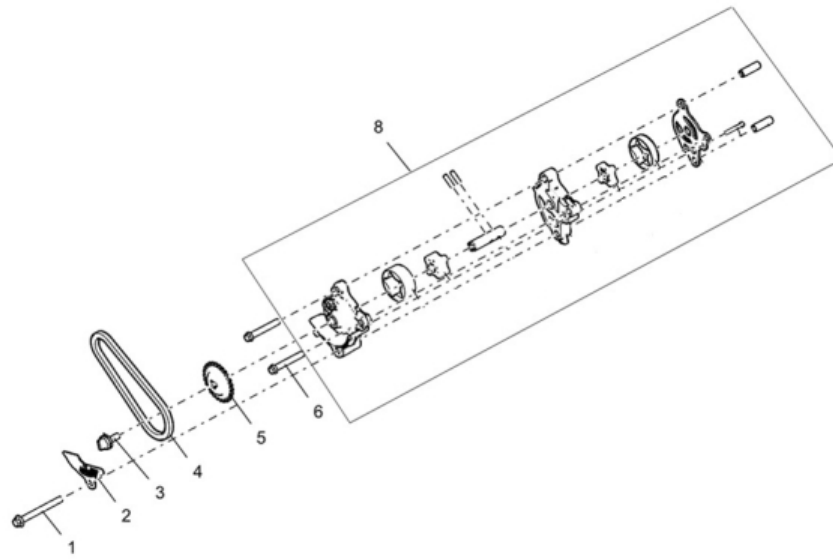
**RIGHT COVER ASSY.**



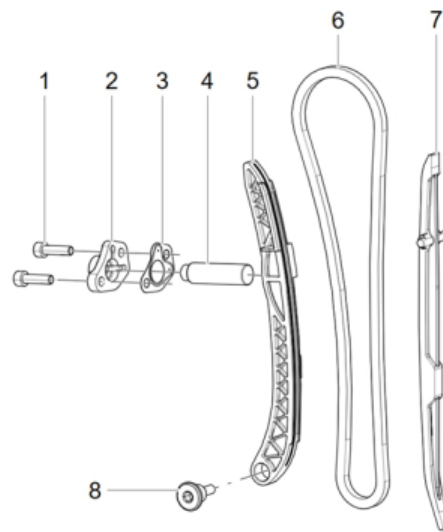
1	WATER PUMP COVER GASKET 0/000.190.3404 (u. 1)
2	RETAINING RING Ø35 0/000.890.3412 (u. 1)
3	TRANSMISSION BEARING 2 0/000.960.3413 (u. 1)
4	WATER PUMP COVER 0/000.350.3410 (u. 1)
5	O-RING 18X3.5 0/000.490.3420 (u. 1)
6	OIL LEVEL PLUG 0/000.410.3405 (u. 1)
7	GROMMET 14X22X1 0/000.440.3436 (u. 1)
8	SCREW M14 0/000.460.3430 (u. 1)
10	WATER PUMP PIPE 0/000.290.3415 (u. 2)
11	CLAMP Ø17 0/000.680.3407 (u. 2)
12	SCREW M6x40 0/000.460.46092 (u. 12)
13	SCREW M6x32 0/000.460.46091 (u. 3)
14	WATER PUMP IMPELLER COVER WASHER 0/000.440.3438 (u. 1)
15	WATER PUMP IMPELLER COVER 0/000.350.3411 (u. 1)
16	WATER PUMP IMPELLER COVER GASKET 0/000.490.3426 (u. 1)

17	CENTERING PIN 0/000.280.3401 (u. 2)
18	WATER PUMP IMPELLER 0/005.220.3401 (u. 1)
19	WATER PUMP IMPELLER GROMMET 0/000.480.3418 (u. 1)
20	WATER PUMP TURBINE SEAL 0/000.490.4637 (u. 1)
21	WATER PUMP SEAL 0/000.300.4616 (u. 1)
22	WATER PUMP SHAFT WASHER 0/000.440.3429 (u. 1)
23	WATER PUMP IMPELLER SHAFT 0/000.190.3403 (u. 1)
24	LOCATING PIN SLEEVE 10x16 0/000.480.3406 (u. 2)
25	WATER PUMP OUTLET PIPE 0/000.290.3411 (u. 1)
26	WATER INLET GASKET 0/000.490.3406 (u. 1)

## CJTO. BOMBA DE ACEITE

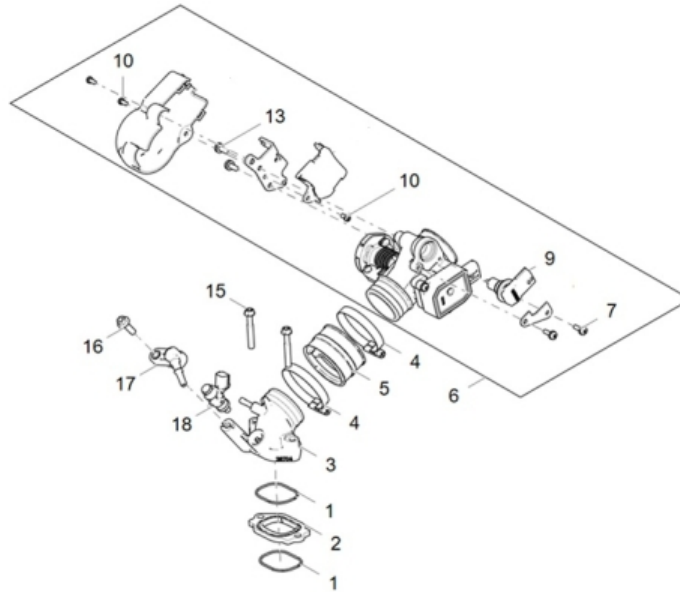


1	SCREW M6x65 0/000.460.3445 (u. 1)
2	CHAIN GUIDE PLATE 0/000.220.3408 (u. 1)
3	OIL PUMP SPROCKET SCREW 0/000.460.3431 (u. 1)
4	OIL PUMP CHAIN 0/001.050.3405 (u. 1)
5	OIL PUMP SPROCKET 0/000.500.3407 (u. 1)
6	BOLT M6x45 0/000.460.46171 (u. 1)
8	OIL PUMP ASSEMBLY X-OVER 357 0/000.860.3402 (u. 1)

**DISTRIBUTION CHAIN**


1	SCREW M6x22 0/000.460.3464 (u. 2)
2	TENSIONER COVER 0/000.350.3404 (u. 1)
3	TENSIONER GASKET 0/000.490.3413 (u. 1)
4	CHAIN TENSIONER 0/000.380.3402 (u. 1)
5	TIMING CHAIN GUIDE 0/000.710.3402 (u. 1)
6	X-OVER 357 TIMING CHAIN 0/001.050.3402 (u. 1)
7	TIMING CHAIN GUIDE 2 0/000.710.3404 (u. 1)
8	CHAIN GUIDE SCREW 0/000.460.3424 (u. 1)

## INJECTION BODY



1	O-RING 40x1.8 0/000.490.3446 (u. 2)
2	HEAT INSULATED PAD 0/000.490.3435 (u. 1)
3	X-OVER 357 INTAKE MANIFOLD 0/000.290.3421 (u. 1)
4	WORM GEAR CLAMP 40-60 0/000.680.4606 (u. 2)
5	INTAKE MANIFOLD TO THROTTLE BODY CONNECTING PIPE 0/000.290.3423 (u. 1)
6	INJECTION BODY X-OVER 357 0/005.158.3403 (u. 1)
7	SCREW M4x14 0/000.460.3478 (u. 2)
9	X-OVER 357 STEPPER MOTOR 0/005.082.3403 (u. 1)
10	TPS SENSOR SCREW 0/000.460.46122 (u. 3)
13	SCREW M5x12 0/000.460.3479 (u. 1)
15	HEXAGON SOCKET HEAD SCREW M6x40 0/000.460.46076 (u. 2)
16	SCREW M6x20 0/000.460.3441 (u. 1)
17	FUEL RAIL 0/005.158.3405 (u. 1)
18	X-OVER 357 FUEL INJECTOR 0/005.158.3404 (u. 1)